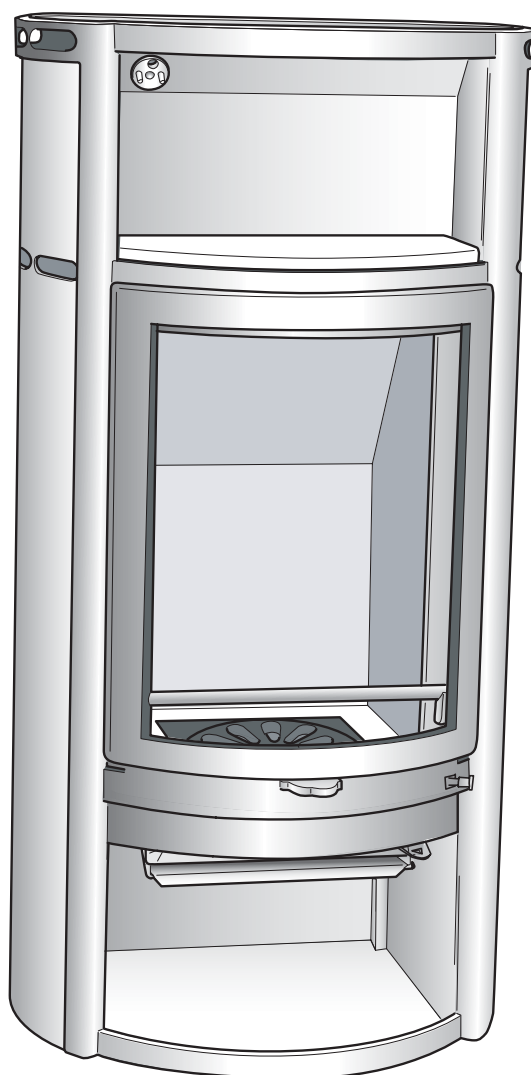


I N S T R U C T I O N S F O R
I N S T A L L A T I O N A N D U S E

SCAN 29



Approved according to DIN 18891



This manual is accompanied by a pamphlet with General Instructions for Installation.



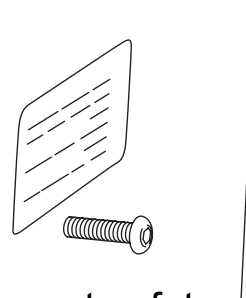
made for fire made for life

Edition 07.03 - GB

Congratulations on your new SCAN stove!

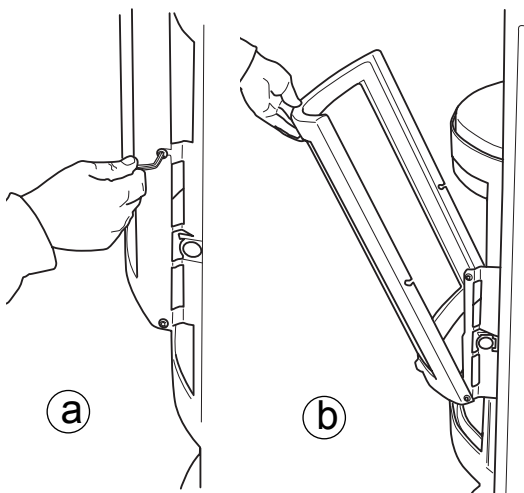
You have chosen a product from one of Europe's leading manufacturers of wood-burning stoves. We are convinced that your stove will be to your full satisfaction and give you many hours of pleasure if you follow the advice and instructions of this manual.

Please read this manual as well as the General Instructions for Installation before beginning the installation.



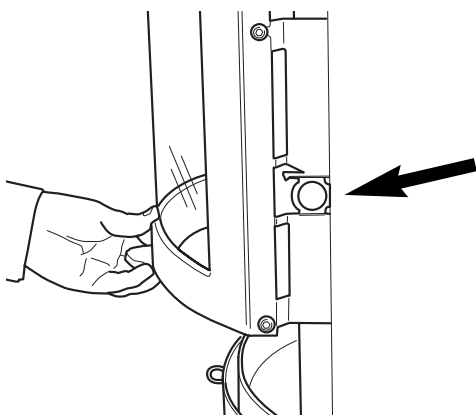
Transport safety

Do not forget to remove the transport safety screw on the rear of the stove before mounting the stove.



Cleaning of the glass

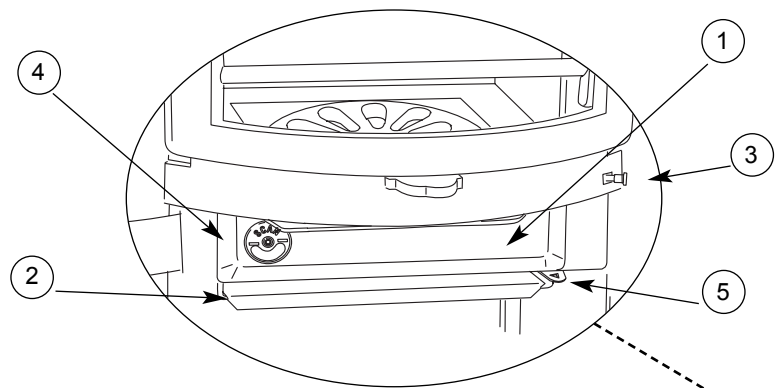
If you need to clean the glass, you should proceed as follows: The stove must be cold. Push the door about ¼ of the way up. Close the door lock at the right (see below). Use the special wrench to loosen the screws on both sides of the door (a). Pivot the door (b) and clean the glass. After cleaning the glass, pivot the door back and fasten the two screws. Open the door lock and close the door.



Locking of the door

You can lock the door in the open position for refuelling of wood. This is done by pulling the locking ring forwards (see the arrow).

Adjustment of the air



- 1 **Ashtray.** When you open the cover under the door you have access to the ashtray, which is placed below the combustion chamber. *Attention! Be careful when you empty ashes from the stove. There may be embers left for up to 24 hours after the stove was last used.*
- 2 **Lid for ashtray.** Under the ashtray you will find a lid to put on top of the ashtray when you carry it out for emptying.
- 3 **Handle for shaking grate.** The stove is equipped with a shaking grate. When you activate the grate handle, the ashes from the combustion chamber are emptied into the ashtray.
- 4 **Regulation for primary air.** Turn the air valve in order to open. The primary air is used when lighting and refuelling the stove. It should always be closed during continuous firing.
- 5 **Regulation for combustion air.** Push the button sideways. Left position is closed and right position is open. The air is used for combustion and regulates the output of the stove.

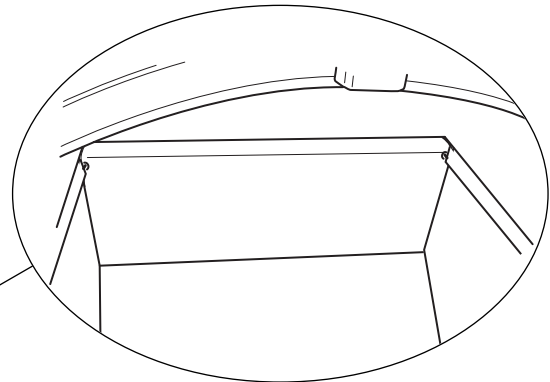
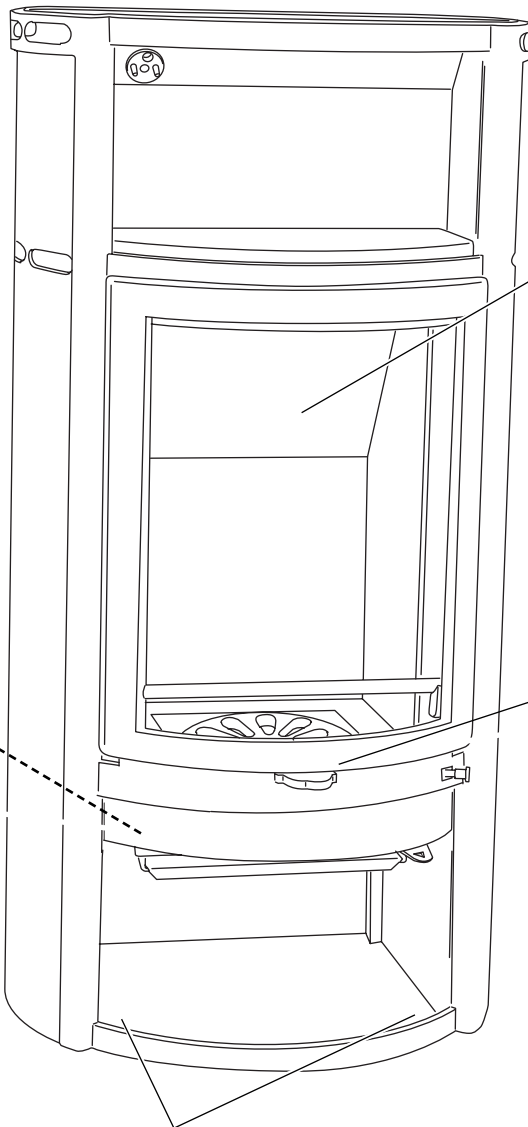
The ashtray, shaking grate, and primary air should always be closed during continuous firing.

	Wood / briquettes	Fuel kg/h (beechwood max. 20% humidity)
SCAN 29		2,4 kg
Combustion air %	75	
Primary air %	0	

Accessories

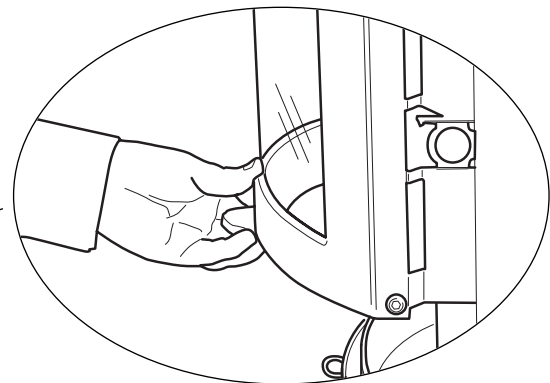
For this model you can have the following accessories:

- Lateral covering in soapstone or ceramic tiles
- Top plate in soapstone or ceramic tile
- Baking-compartment door
- Small grill
- Swivel grill
- Steel floor plate
- Connection piece for fresh-air intake



Ceramic smoke deflector

In order to dismount the ceramic smoke deflector, lift the plate off the pins in the lateral combustion chamber plates and take it down.



Handle

The door is opened by pulling up the handle.

Wires and wheels

Smooth operation of your wires and wheels requires regular maintenance with a special grease purchased through your local authorised dealer.

Self-closing door (BA 1)

The stove can be delivered with a self-closing function at the factory.

Adjustment screws

The stove has two adjustment screws on the bottom that can be used for levelling the stove.

Data for calculation of the chimney

		With open doors			With closed doors			
Stove model	Connecting adaptor	1 Density of flue gas flow g/s	2 Flue gas temperature °C	3 Minimum draft Pa	4 Density of flue gas flow g/s	5 Flue gas temperature °C	6 Minimum draft Pa	7 0,8 Minimum draft Pa
SCAN	mm							
29	150	-	-	-	6	310	12	10

Column 2 and 5 show the flue gas temperature in the connecting adaptor
 Column 3 and 6 show the lowest/minimum draft in Pa by rated value
 Column 7 shows the lowest/minimum draft in Pa by 0.8 x rated value

Warranty conditions

All SCAN wood-burning stoves and inserts are made of first-class material and are subject to a strict quality control before they leave the factory. However, if an error should occur, we back all SCAN wood-burning stoves and inserts with an extensive, five-year limited warranty.

See also the **General Instructions for Installation** delivered with your stove for more details.

644800

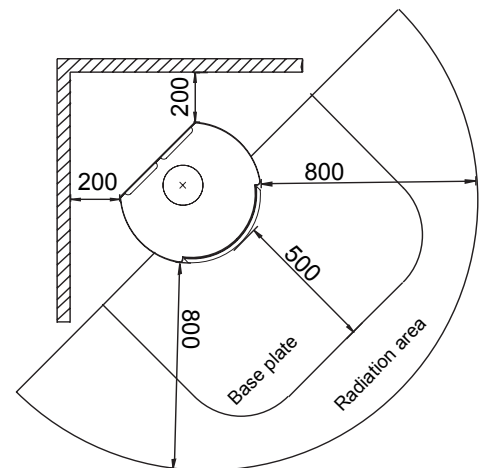
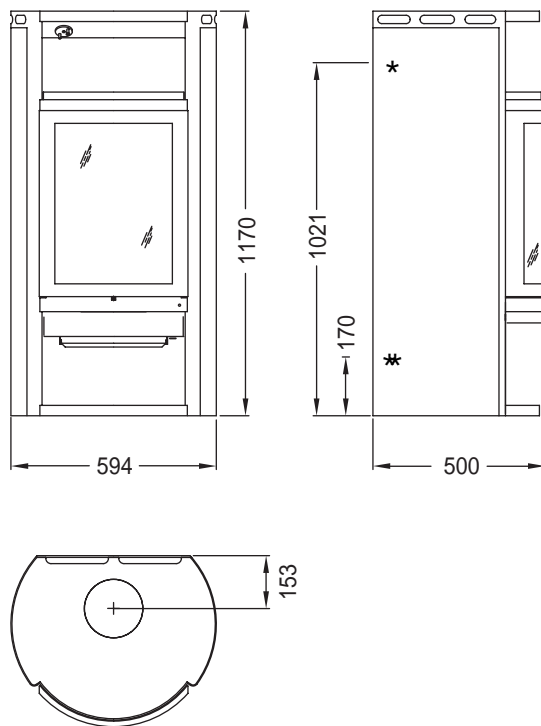
Production number

Technical info

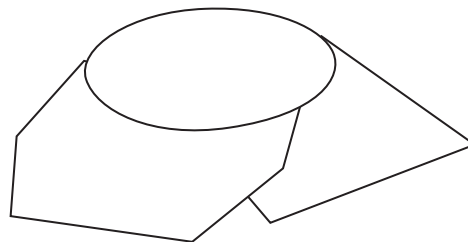
Rated output:	7 kW
Min./max.:	3 - 9 kW
Weight:	155 - 300 kg
Connection piece, diameter:	int. 135 mm / ext. 148 mm

Write the production number of your stove here so that you have it at hand in case you need to contact us.

Distances to flammable materials (mm)



- * To the middle of the rear outlet
- ** Connection piece to fresh-air intake



You can choose between several floor plates in different shapes and dimensions for your stove. Please contact your local authorities concerning the security distances needed.

You should read this manual as well as the **General Instructions for Installation** before beginning the installation.