

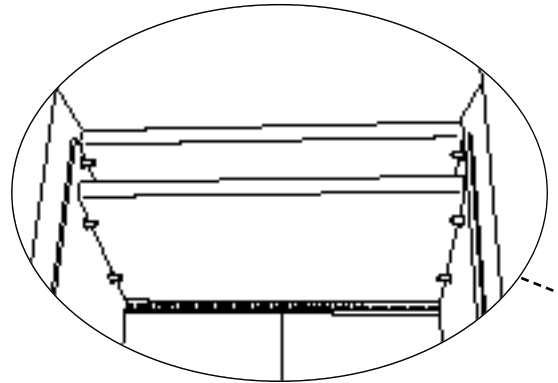
Congratulations on your new SCAN stove!

You have chosen a product from one of Europe's leading manufacturers of wood-burning stoves. We are convinced that your stove will be to your full satisfaction and give you many hours of pleasure if you follow the advice and instructions of this manual.

Please read this manual as well as the **General Instructions for Installation** before beginning the installation.

Clean combustion

The SCAN 37-2 uses the "CB technique" (Clean-Burn) to ensure an optimally clean combustion. The extra combustion air is pre-heated and led into the combustion chamber close to the ceramic smoke deflector.

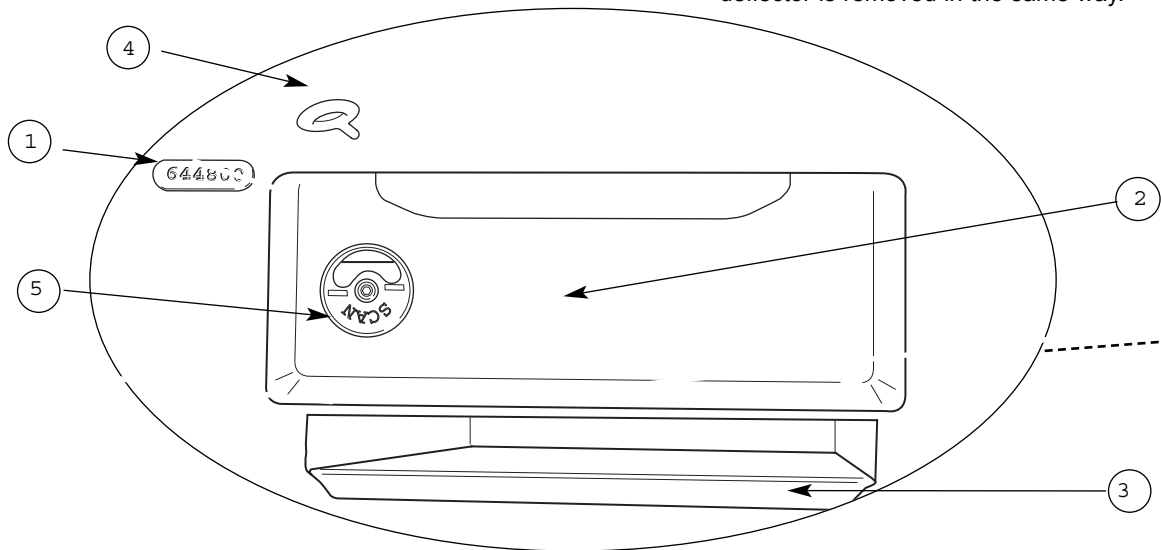


Adjustment screws

The stove has two adjustment screws on the bottom that can be used for levelling the stove.

Ceramic smoke deflectors

Lift up the lower ceramic smoke deflector, pull out the pins in the lateral combustion chamber plates and remove the deflector. The upper deflector is removed in the same way.



- 1 **Production number.** Please always indicate the production number in case you need to contact us.
- 2 **Ashtray.** When you open the door, you have access to the ashtray, which is placed below the combustion chamber. *Attention! Be careful when you empty ashes from the stove. There may be embers left for up to 24 hours after the stove was last used!*
- 3 **Lid for ashtray.** Under the ashtray you will find a lid to put on top of the ashtray when you carry it out for emptying.
- 4 **Handle for shaking grate.** The stove is equipped with a shaking grate. When you activate the grate handle, the ashes from the combustion chamber are emptied into the ashtray.
- 5 **Regulation for primary air.** Turn the air valve in order to open. The primary air is used when lighting and refuelling the stove. It should always be closed during continuous firing.
The ash tray, shaking grate, and primary air should always be closed during continuous firing.

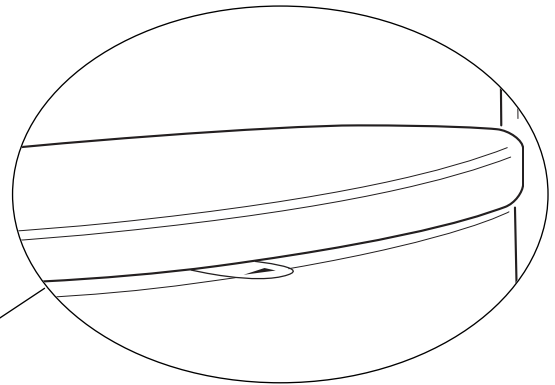
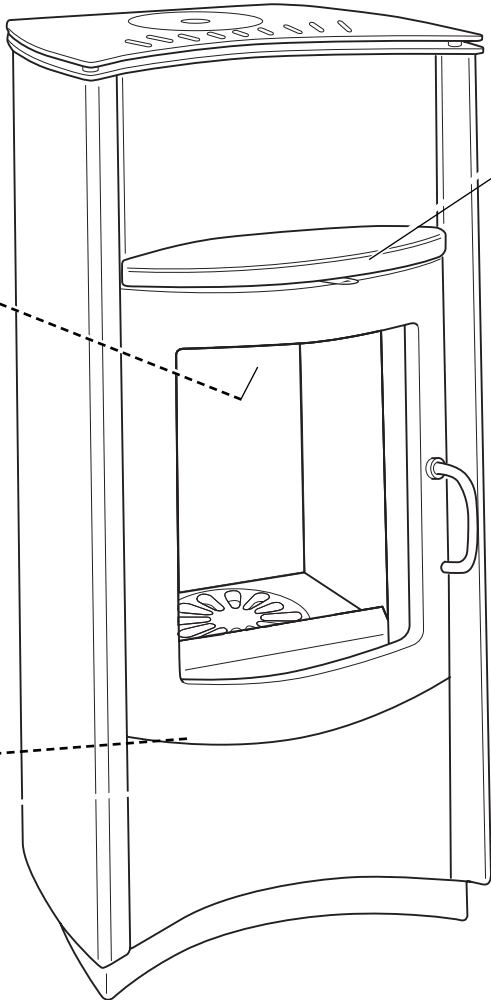
Adjustment of the air

| | Wood / briquettes | Fuel kg/h (beechwood max. 20% humidity) |
|------------------|-------------------|---|
| SCAN 37-2 | | 2 kg |
| Combustion air % | 100 | |
| Primary air % | 0 | |

Accessories

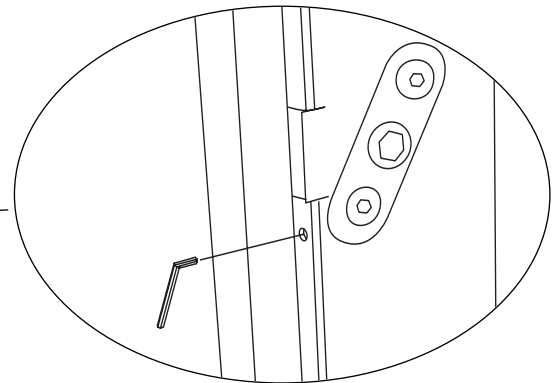
For this model you can have the following accessories:

- Lateral covering in soapstone or stainless steel
- Soapstone top plate
- Soapstone for the bottom
- Stainless-steel front
- Shaped floor plate in black, grey, stainless steel or glass
- Connection piece for fresh-air intake



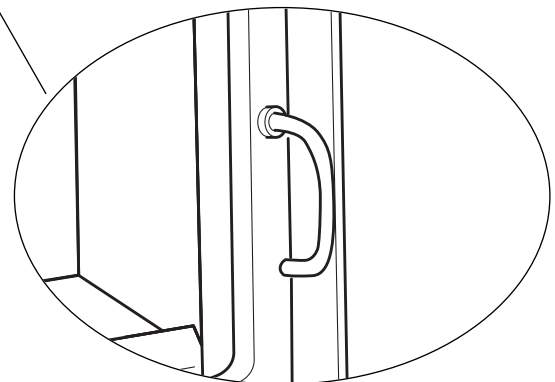
Regulation for combustion air

Push the button sideways. Left position is closed and right position is open. The air is used for combustion and regulates the output of the stove.



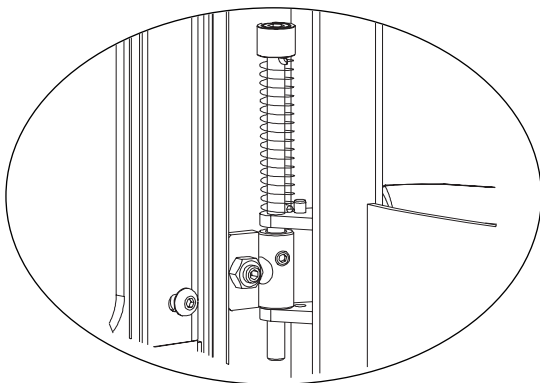
Adjustment of the handle

On the edge of the door, there is an adjustment screw to adjust the vertical position of the handle. The handle can be dismantled by removing the hexagon screw on the inside of the door.



Handle

The door is opened by turning the handle clockwise.



Self-closing door (BA 1)

The door is prepared with a self-closing function at the factory. If you tighten the spring with the hexagon spanner, the door will close automatically when you let go of it.

Warranty conditions

All SCAN wood-burning stoves and inserts are made of first-class material and are subject to a strict quality control before they leave the factory. However, if an error should occur, we back all SCAN wood-burning stoves and inserts with an extensive, five-year limited warranty.

644800

Production number

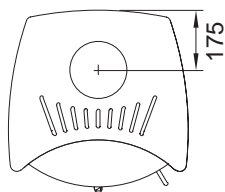
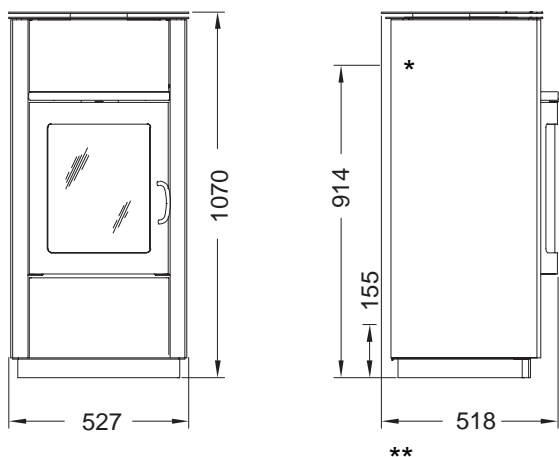
See also the **General Instructions for Installation** delivered with your stove for more details.

Technical info

Rated output: 7 kW
 Min./max.: 3 - 9 kW
 Weight: 125 - 160 kg
 Connection piece, diameter: int. 135 mm / ext. 148 mm

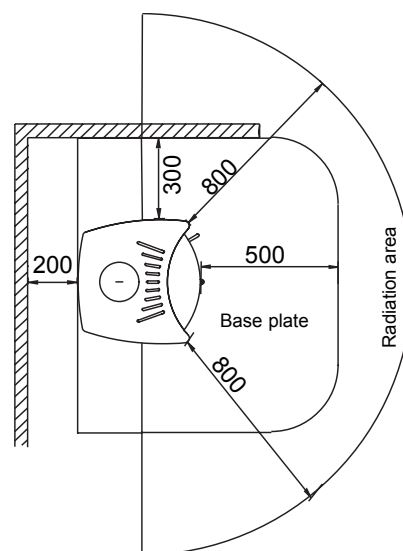


Write the production number of your stove here so that you have it at hand in case you need to contact us.



*To the middle of the rear outlet
 **Connection piece to fresh-air intake

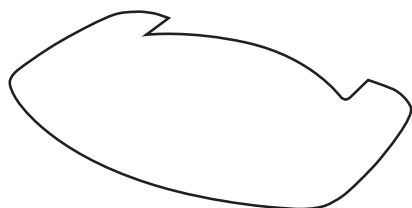
Distances to flammable materials (mm)



Data for calculation of the chimney

| Stove model | Connecting adaptor | With open doors | | | With closed doors | | | |
|-------------|--------------------|--------------------------------------|---------------------------------|--------------------------|--------------------------------------|---------------------------------|--------------------------|---------------------------------|
| | | 1 Density of flue gas flow g/s | 2 Flue gas temperature °C | 3 Minimum draft Pa | 4 Density of flue gas flow g/s | 5 Flue gas temperature °C | 6 Minimum draft Pa | 7 0,8 Minimum draft Pa |
| SCAN | mm | | | | | | | |
| 37-2 | 150 | - | - | - | 7 | 300 | 14 | 11 |

Column 2 and 5 show the flue gas temperature in the connecting adaptor
 Column 3 and 6 show the lowest/minimum draft in Pa by rated value
 Column 7 shows the lowest/minimum draft in Pa by 0.8 x rated value



You can choose between several floor plates in different shapes and dimensions for your stove. Furthermore, you can have a specially made, shaped floor plate for the SCAN 37-2, which is to be placed in front of the stove. Please contact your local authorities concerning the security distances needed.