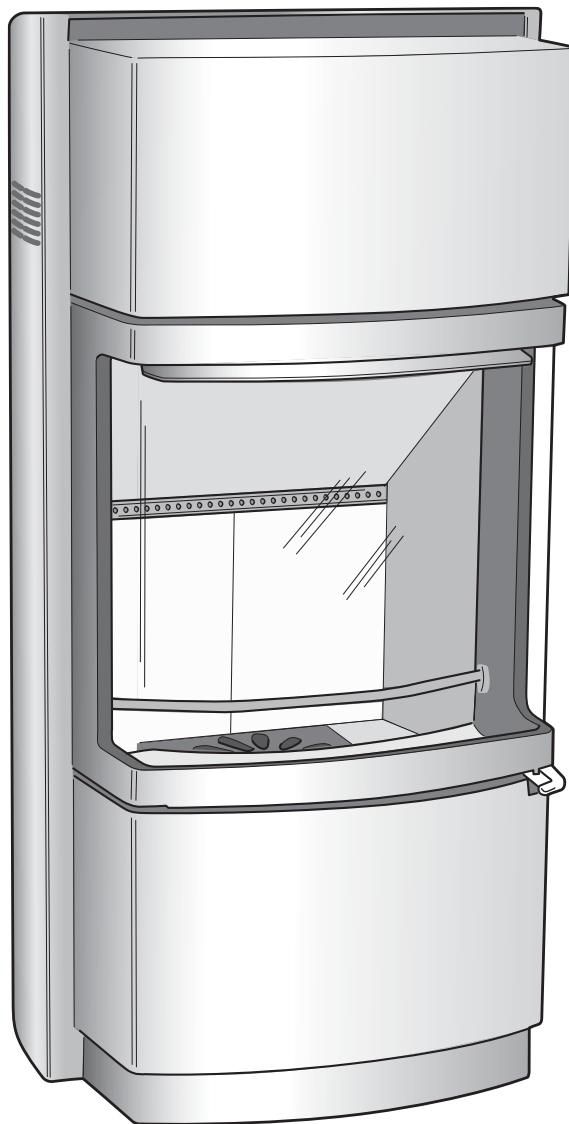
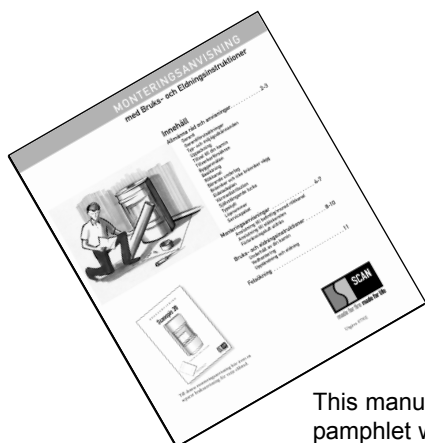


I N S T R U C T I O N S F O R  
I N S T A L L A T I O N A N D U S E

# SCAN 38



Approved according to DIN 18891



This manual is accompanied by a pamphlet with General Instructions for Installation.



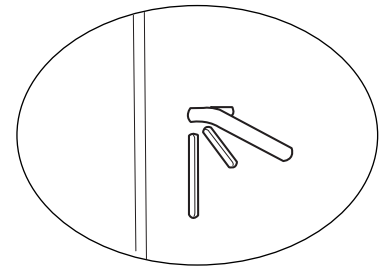
**made for fire made for life**

Edition 02.04 - GB

# Congratulations on your new SCAN stove!

You have chosen a product from one of Europe's leading manufacturers of wood-burning stoves. We are convinced that your stove will be to your full satisfaction and give you many hours of pleasure if you follow the advice and instructions of this manual.

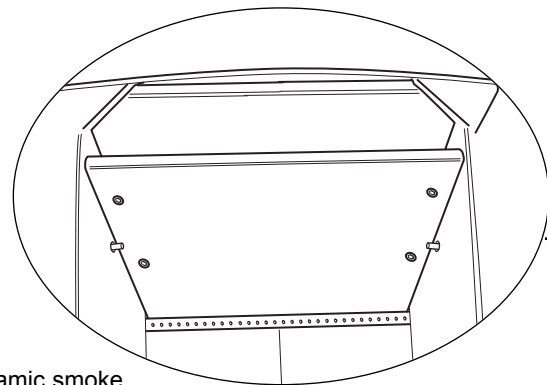
Please read this manual as well as the **General Instructions for Installation** before beginning the installation.



Regulation for combustion air

## Ceramic smoke deflectors

Lift up the ceramic smoke deflector assembly, pull out the pins in the lateral combustion chamber plates, and remove the deflectors.



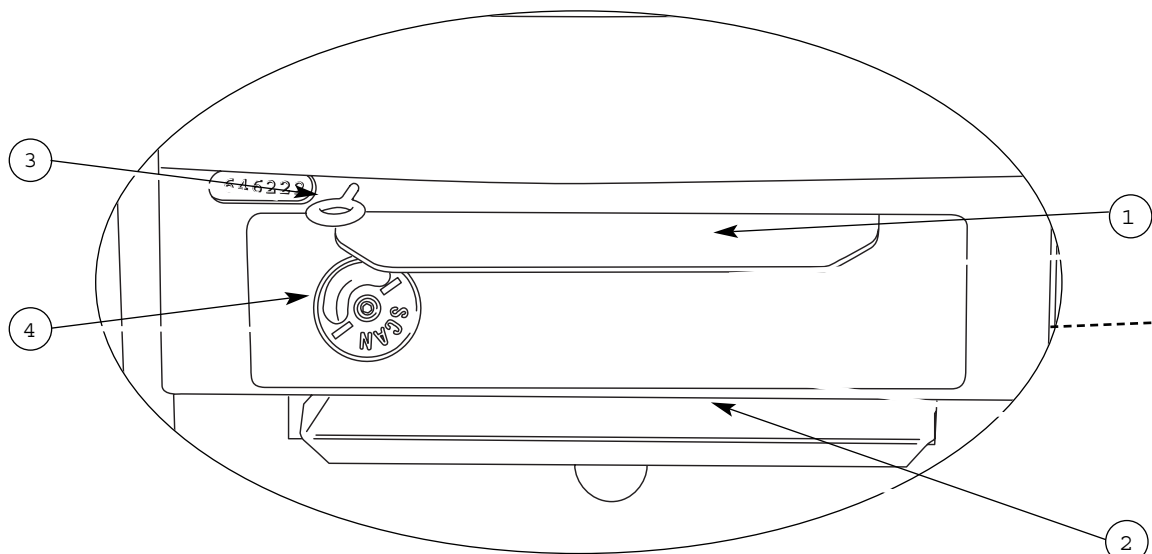
Ceramic smoke deflectors

## Clean combustion

The SCAN 38 uses the "CB technique" (Clean-Burn) to ensure an optimally clean combustion. The extra combustion air is preheated and led into the combustion chamber close to the ceramic smoke deflector.

## Combustion air

Turn the handle in order to regulate the combustion air. The air is used for combustion and regulates the output of the stove.



- ① **Ashtray.** When you open the door in front of the wood compartment, you have access to the ashtray, which is placed below the combustion chamber. *Attention! Be careful when you empty ashes from the stove. There may be embers left for up to 24 hours after the stove was last used.*
  - ② **Lid for ashtray.** Under the ashtray you will find a lid to put on top of the ashtray when you carry it out for emptying.
  - ③ **Handle for shaking grate.** The stove is equipped with a shaking grate. When you activate the grate handle, the ashes from the combustion chamber are emptied into the ashtray.
  - ④ **Regulation for primary air.** Turn the air valve in order to open. The primary air is used when lighting and refuelling the stove. It should always be closed during continuous firing.
- The ashtray, shaking grate, and primary air should always be closed during continuous firing.

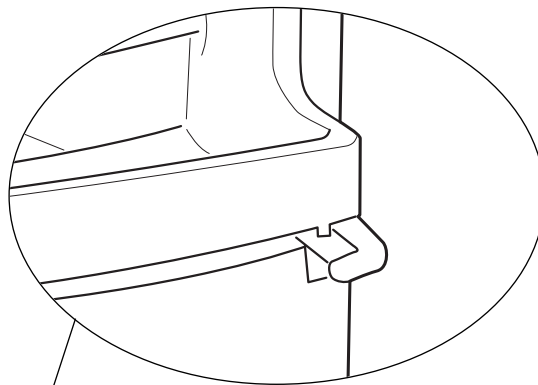
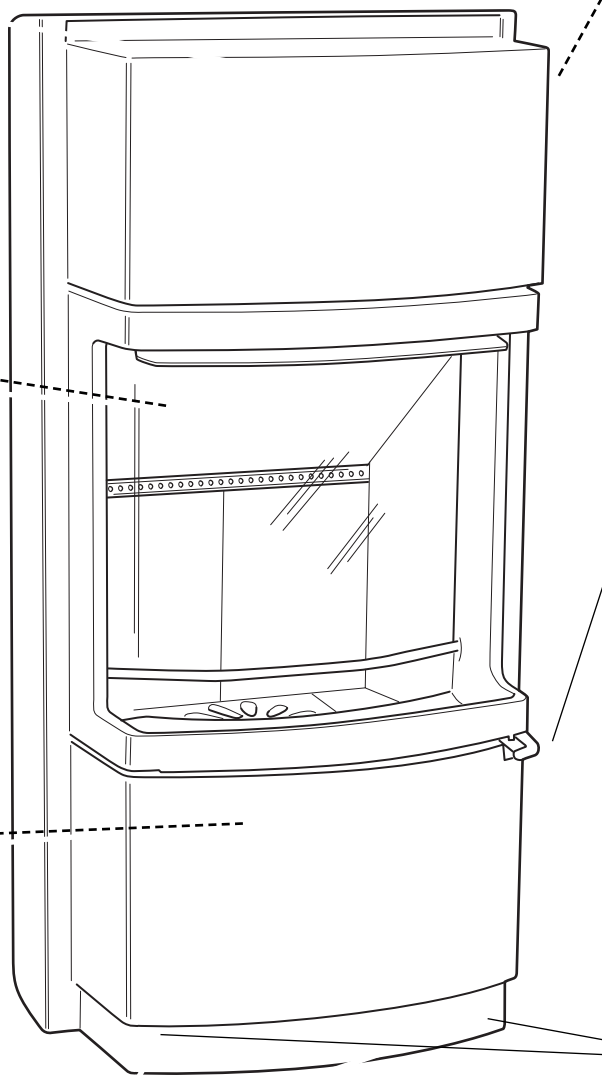
### Adjustment of the air

	Wood / briquettes	Fuel kg/h (beechwood max. 20% humidity)
<b>SCAN 38</b>		2,3 kg
Combustion air %	75	
Primary air %	0	

## Accessories

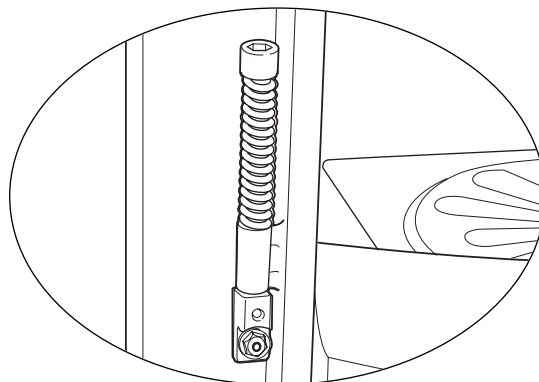
For this model you can have the following accessories:

- Soapstone top plate
- Steel floor plate
- Connection piece for fresh-air intake



### Handle

The handle is elegantly integrated into the front of the stove. Pull out the handle to open.



### Self-closing door (BA 1)

The door is prepared with a self-closing function at the factory. If you tighten the spring with the hexagon spanner, the door will close automatically when you let go of it.

### Adjustment screws

The stove has two adjustment screws on the bottom that can be used for levelling the stove.

### Data for calculation of the chimney

Stove model	Connecting adaptor	With open doors			With closed doors			
		1 Density of flue gas flow g/s	2 Flue gas temperature °C	3 Minimum draft Pa	4 Density of flue gas flow g/s	5 Flue gas temperature °C	6 Minimum draft Pa	7 0,8 Minimum draft Pa
SCAN	mm							
38	180	-	-	-	9	370	12	10

Column 2 and 5 show the flue gas temperature in the connecting adaptor

Column 3 and 6 show the lowest/minimum draft in Pa by rated value

Column 7 shows the lowest/minimum draft in Pa by 0.8 x rated value

You should read this manual as well as the **General Instructions for Installation** before beginning the installation.

## Warranty conditions

All SCAN wood-burning stoves and inserts are made of first-class material and are subject to a strict quality control before they leave the factory. However, if an error should occur, we back all SCAN wood-burning stoves and inserts with an extensive, five-year limited warranty.

644800

Production number

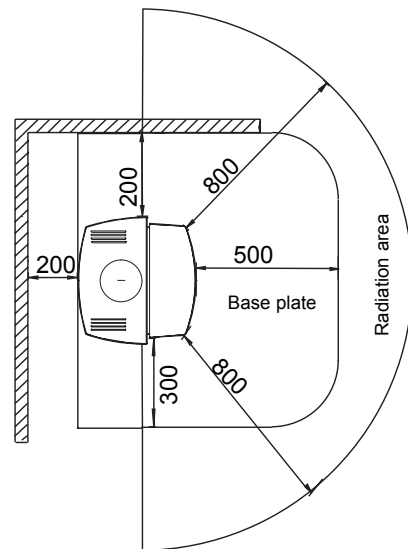
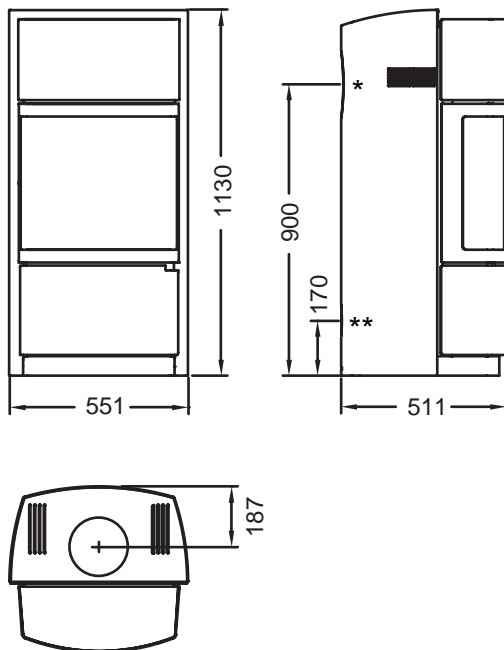
See also the **General Instructions for Installation** delivered with your stove for more details.

## Technical info

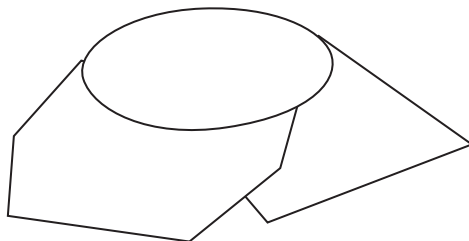
Rated output:	7 kW
Min./max.:	3 - 9 kW
Weight:	160 kg
Connection piece, diameter:	int. 165 mm / ext. 178 mm

Write the production number of your stove here so that you have it at hand in case you need to contact us.

## Distances to flammable materials (mm)



- \* To the middle of the rear outlet
- \*\* Connection piece to fresh-air intake



You can choose between several floor plates in different shapes and dimensions for your stove. Please contact your local authorities concerning the security distances needed.