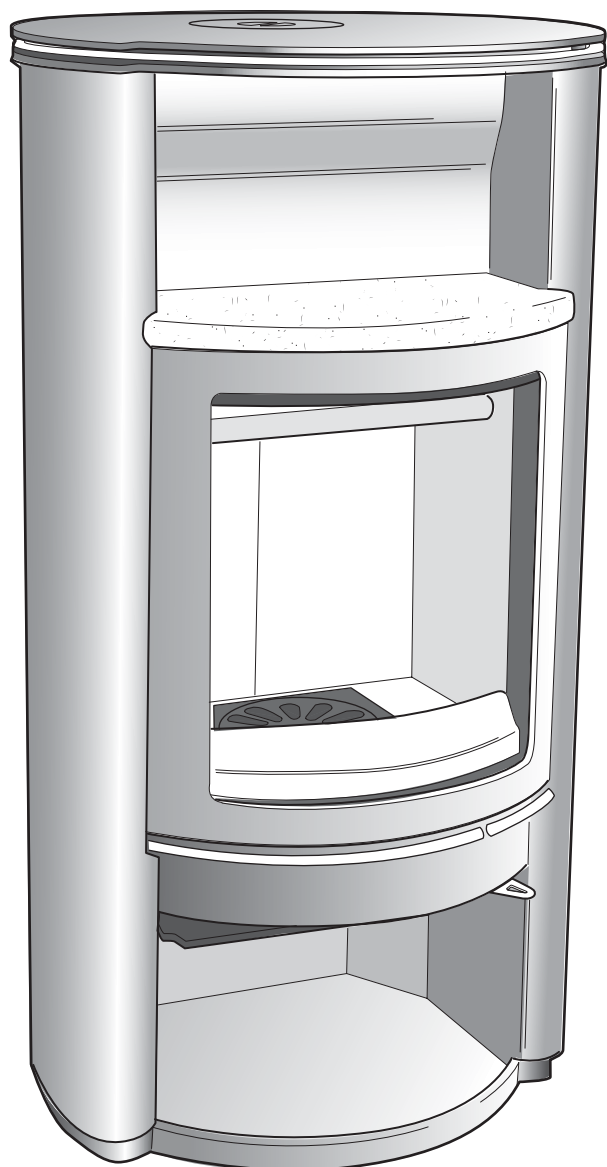


INSTRUCTIONS FOR INSTALLATION AND USE

SCAN 40



Declaration of Conformity

Manufacturer:
Krog Iversen & Co. A/S
DK - 5492 Vissenbjerg

Product:
SCAN 40

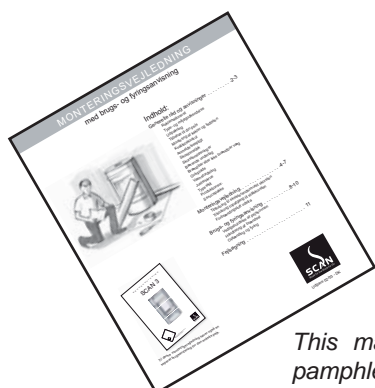
Description of product:
Room heater for closed operation

This product complies with the requirements
of the directive
CPD 89/106/EEC

Applied to harmonized standard EN 13240

Signature: 
Managing director Henning Krog Iversen

Approved according to EN 13240 2003



This manual is accompanied by a pamphlet with General Instructions for Installation.

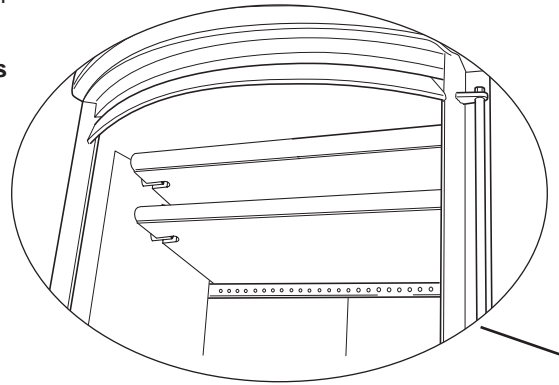


Edition 10.06 - GB

Congratulations on your new SCAN stove!

You have chosen a product from one of Europe's leading manufacturers of wood-burning stoves. We are convinced that your stove will be to your full satisfaction and give you many hours of pleasure if you follow the advice and instructions of this manual.

Please read this manual as well as the **General Instructions for Installation** before beginning the installation.

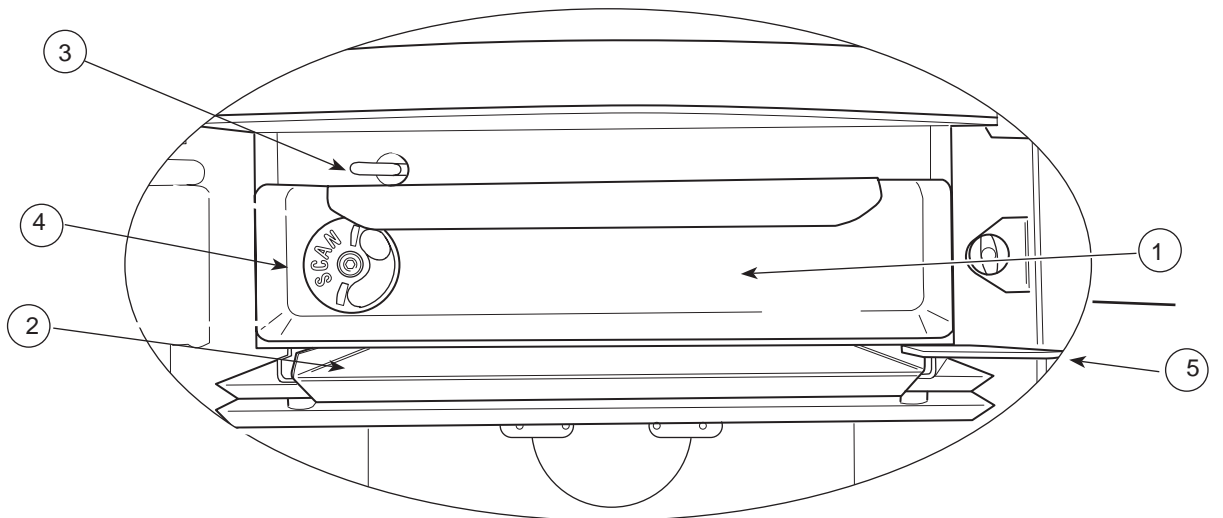


Ceramic smoke deflectors

Lift up the lower ceramic smoke deflector, pull out the pins in the lateral combustion chamber plates and remove the deflector. The upper deflector is removed in the same way.

Clean combustion

The SCAN 40 uses the "CB technique" (Clean-Burn) to ensure an optimally clean combustion. The extra combustion air is preheated and led into the combustion chamber close to the ceramic smoke deflector.



- 1 **Ashtray.** When you open the door, you have access to the ashtray, which is placed below the combustion chamber. *Attention! Be careful when you empty ashes from the stove. There may be embers left for up to 24 hours after the stove was last used.*
 - 2 **Lid for ashtray.** Under the ashtray you will find a lid to put on top of the ashtray when you carry it out for emptying.
 - 3 **Handle for shaking grate.** The stove is equipped with a shaking grate. When you activate the grate handle, the ashes from the combustion chamber are emptied into the ashtray.
 - 4 **Regulation for primary air.** Turn the air valve in order to open. The primary air is used when lighting and refuelling the stove. It should always be closed during continuous firing.
 - 5 **Regulation for combustion air.** Push the button sideways. Left position is closed and right position is open. The air is used for combustion and regulates the output of the stove.
- The ashtray, shaking grate, and primary air should always be closed during continuous firing.

Adjustment of the air

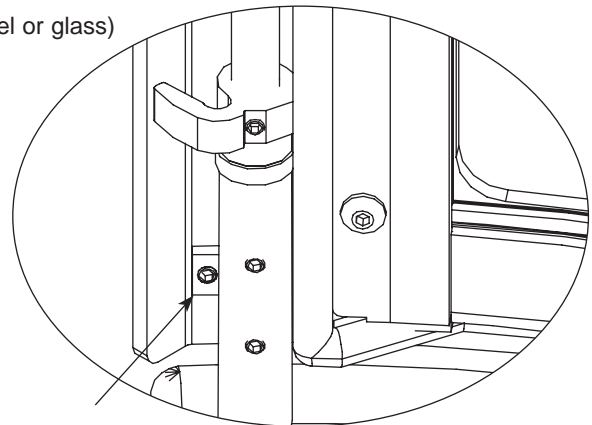
	Wood / briquettes	Fuel kg/h (beechwood max. 20% humidity)
SCAN 40		1,8 kg
Combustion air %	100	
Primary air %	25	

Accessories

For this model you can have the following accessories:

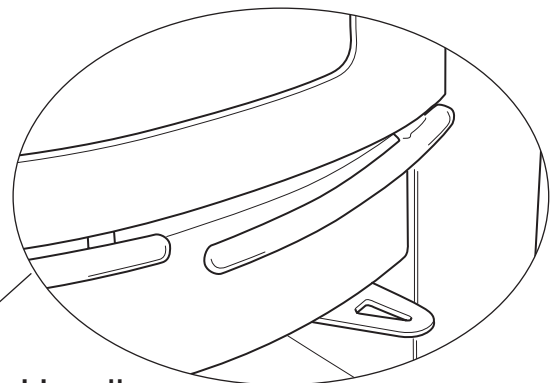
- Lateral covering in soapstone
- Soapstone-top plate
- Soapstone for the bottom
- Door in front of the wood compartment
- Baking-compartment door
- Shaped floor plate (steel or glass)
- Glazed baking tile
- Connection piece for fresh-air intake

The stove can be prepared for an external air supply where fresh air is let directly into the combustion chamber (can also be done subsequently by the authorized dealer).



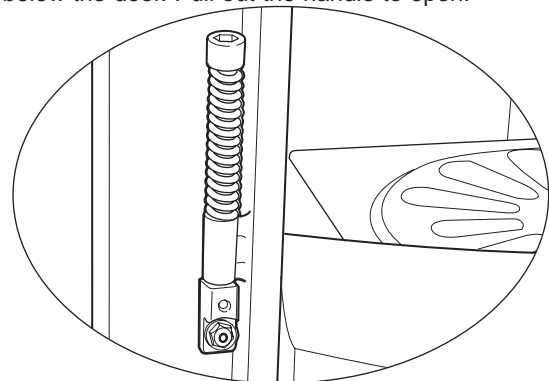
Adjustment of the handle

Adjust the handle to the moulding by means of the adjustment screw.



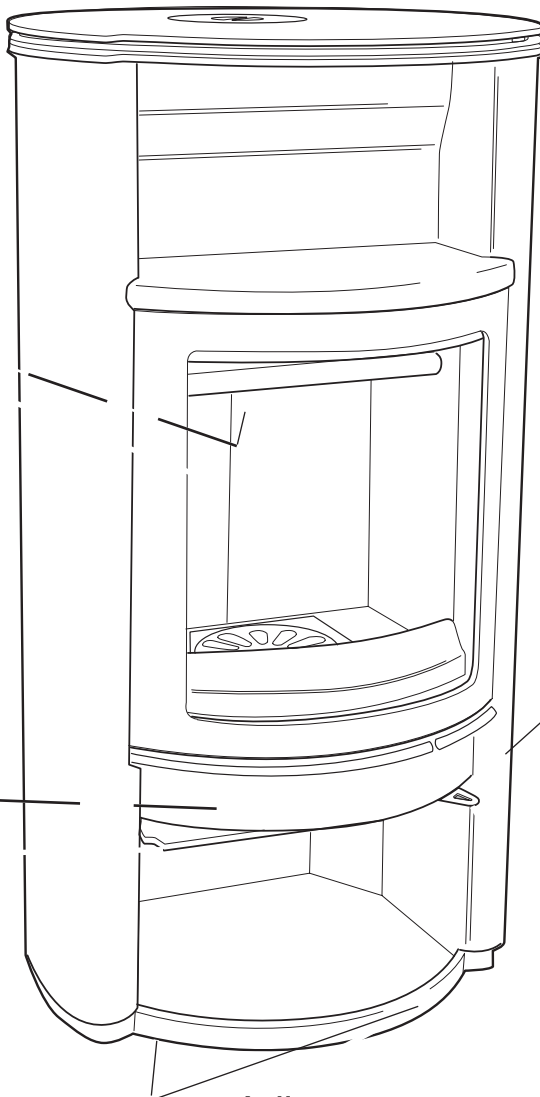
Handle

The handle is elegantly integrated on the moulding below the door. Pull out the handle to open.



Self-closing door (BA 1)

The door is prepared with a self-closing function at the factory. If you tighten the spring with the hexagon spanner, the door will close automatically when you let go of it.



Adjustment screws

The stove has two adjustment screws on the bottom that can be used for levelling the stove.

Data for calculation of the chimney

Stove model	Connecting adaptor	With open doors			With closed doors			
		1 Density of flue gas flow g/s	2 Flue gas temperature °C	3 Minimum draft Pa	4 Density of flue gas flow g/s	5 Flue gas temperature °C	6 Minimum draft Pa	7 0,8 Minimum draft Pa
SCAN	mm							
40	150	-	-	-	6	270	14	11

Column 2 and 5 show the flue gas temperature in the connecting adaptor

Column 3 and 6 show the lowest/minimum draft in Pa by rated value

Column 7 shows the lowest/minimum draft in Pa by 0.8 x rated value

SCAN 40

Warranty conditions

All SCAN wood-burning stoves and inserts are made of first-class material and are subject to a strict quality control before they leave the factory. However, if an error should occur, we back all SCAN wood-burning stoves and inserts with an extensive, five-year limited warranty.

See also the **General Instructions for Installation** delivered with your stove for more details.

644800

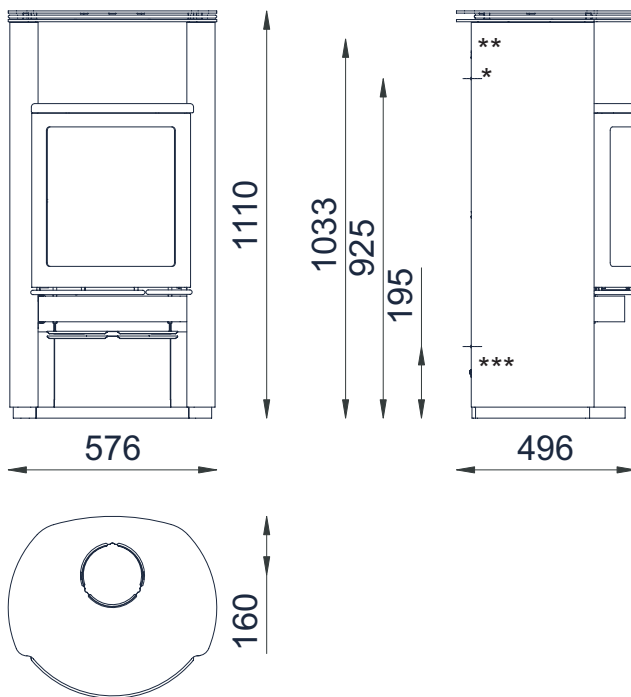
Production number

Technical info

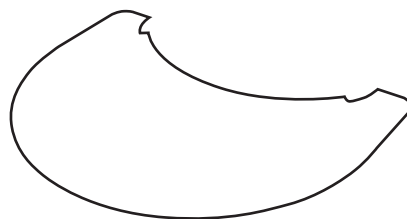
Rated output:	6 kW
Min./max.:	2 - 8 kW
Weight:	130 - 240 kg
Connection piece, diameter:	ext. 148 mm / int. 135 mm



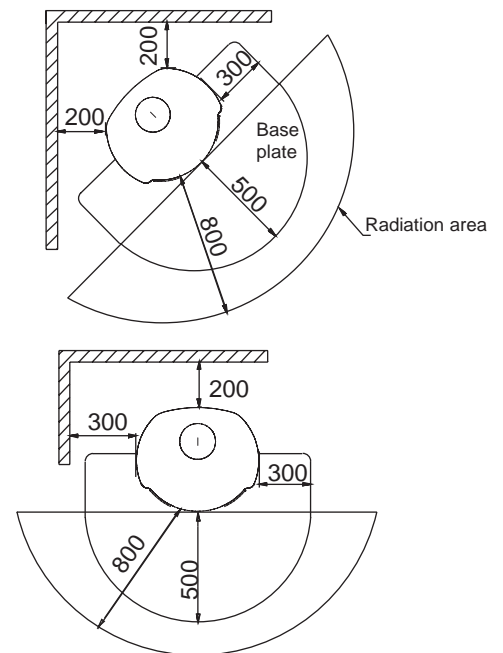
Write the production number of your stove here so that you have it at hand in case you need to contact us.



- * To the middle of the rear outlet
- ** Height to the beginning of the flue pipe at top outlet
- *** Connection piece to fresh-air intake



Distances to flammable materials (mm)



You can choose between several floor plates in different shapes and dimensions for your stove. Furthermore, you can have a specially made, shaped floor plate for the SCAN 40, which is to be placed in front of the stove. Please contact your local authorities concerning the security distances needed.

You should read this manual as well as the **General Instructions for Installation** before beginning the installation.