

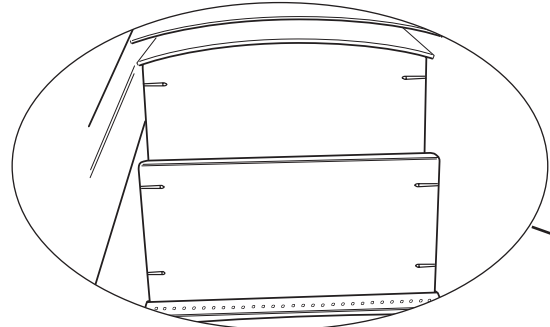
Congratulations on your new SCAN stove!

You have chosen a product from one of Europe's leading manufacturers of wood-burning stoves. We are convinced that your stove will be to your full satisfaction and give you many hours of pleasure if you follow the advice and instructions of this manual.

Please read this manual as well as the **General Instructions for Installation** before beginning the installation.

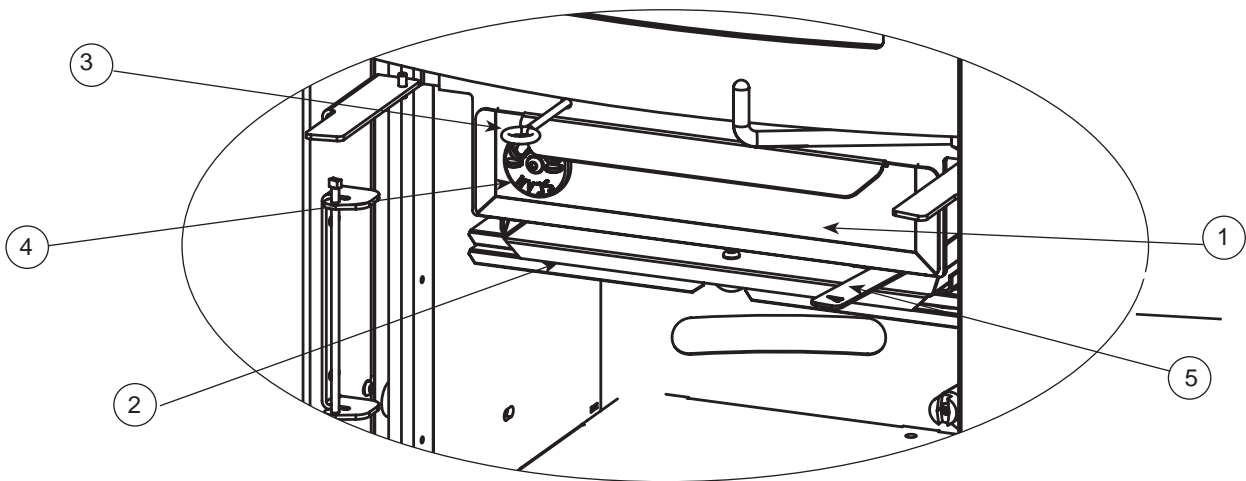
Clean combustion

The SCAN 47-2 uses the "CB technique" (Clean-Burn) to ensure an optimally clean combustion. The extra combustion air is pre-heated and led into the combustion chamber close to the ceramic smoke deflector.



Ceramic smoke deflectors

Lift up the lower ceramic smoke deflector, pull out the pins in the lateral combustion chamber plates and remove the deflector. The upper deflector is removed in the same way.



① **Ashtray.** When you open the lower door, you have access to the ashtray, which is placed below the combustion chamber. *Attention! Be careful when you empty ashes from the stove. There may be embers left for up to 24 hours after the stove was last used.*

② **Lid for ashtray.** Under the ashtray you will find a lid to put on top of the ashtray when you carry it out for emptying.

③ **Handle for shaking grate.** The stove is equipped with a shaking grate. When you activate the grate handle, the ashes from the combustion chamber are emptied into the ashtray.

④ **Regulation for primary air.** Turn the air valve in order to open. The primary air is used when lighting and refuelling the stove. It should always be closed during continuous firing.

⑤ **Regulation for combustion air.** Push the button sideways. Left position is closed and right position is open. The air is used for combustion and regulates the output of the stove.

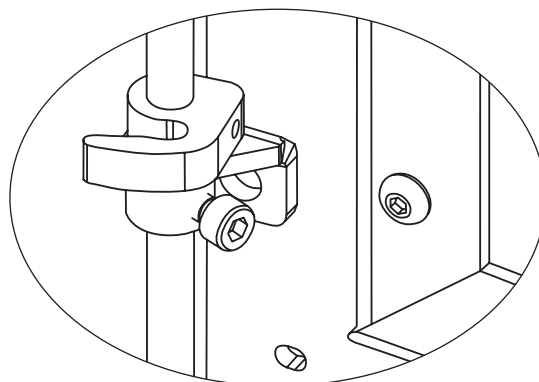
The ashtray, shaking grate, and primary air should always be closed during continuous firing.

Accessories

For this model you can have the following accessories:

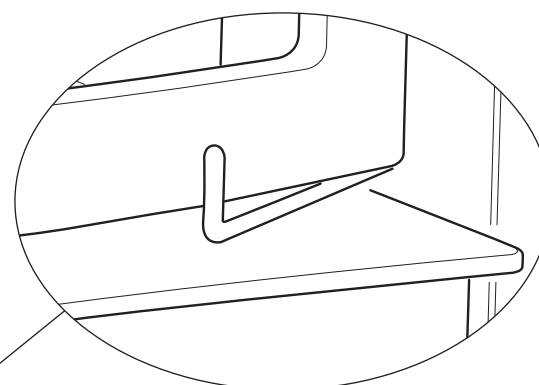
- Shaped floor plate in steel or glass
- Connection piece for fresh-air intake

The stove can be prepared for an external air supply where fresh air is let directly into the combustion chamber (can also be done subsequently by the authorized dealer).



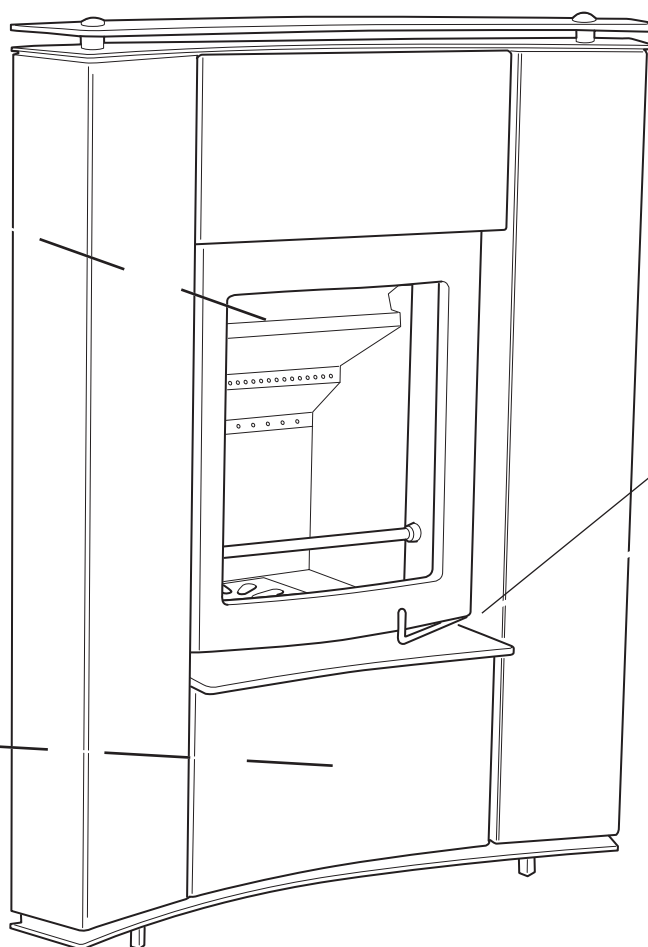
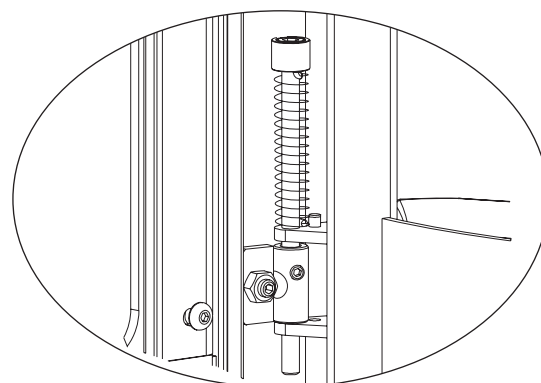
Adjustment of the handle

The handle can be loosened and adjusted at the lower closing hook with a hexagon spanner.



Handle

Pull out the handle to open.



Adjustment screws

The stove has two adjustment screws on the bottom that can be used for levelling the stove.

Self-closing door (BA 1)

The door is prepared with a self-closing function at the factory. If you tighten the spring with the hexagon spanner, the door will close automatically when you let go of it.

Data for calculation of the chimney and adjustment of the air according to EN 13240:

Combustion air	Primary air	Max. fuel	Chimney draught, min.	Flue outlet flow	Temperature of flue outlet behind flue collar	Rated output	Fuel consumption	Efficiency
%	%	kg	Pa.	g/s	°C	kW	kg/h	%
60	25	1.5	11	7.1	195	7.4	2	84

You should read this manual as well as the **General Instructions for Installation** before beginning the installation.

Warranty conditions

All SCAN wood-burning stoves and inserts are made of first-class material and are subject to a strict quality control before they leave the factory. However, if an error should occur, we back all SCAN wood-burning stoves and inserts with an extensive, five-year limited warranty.

See also the **General Instructions for Installation** delivered with your stove for more details.

64.4800

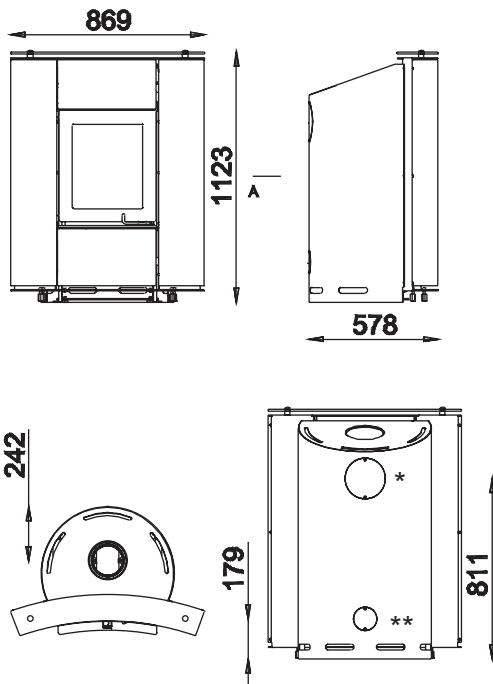
Production number

Technical info

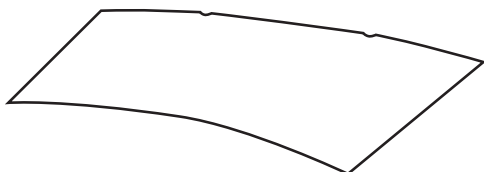
Rated output:	7.4 kW
Min./max.:	3 - 9 kW
Weight:	140 kg
Connection piece, diameter:	int. 135 mm / ext. 148 mm



Write the production number of your stove here so that you have it at hand in case you need to contact us.

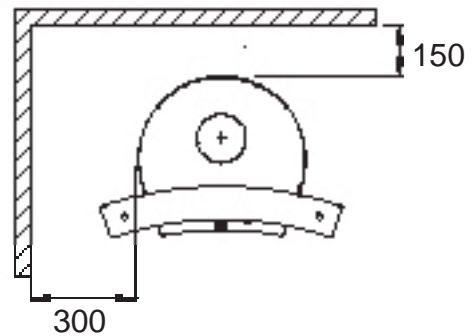
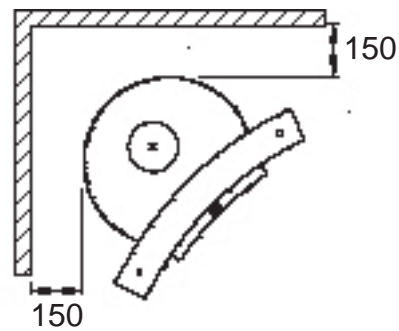


- * To the middle of the rear outlet
- ** Connection piece to fresh air intake



You can choose between several floor plates in different shapes and dimensions for your stove. Furthermore, you can have a specially made, shaped floor plate for the SCAN 47-2, which is to be placed in front of the stove (available in steel or glass). Please contact your local authorities concerning the security distances needed.

Distances to flammable materials (mm)



Distance to furniture: 850 mm