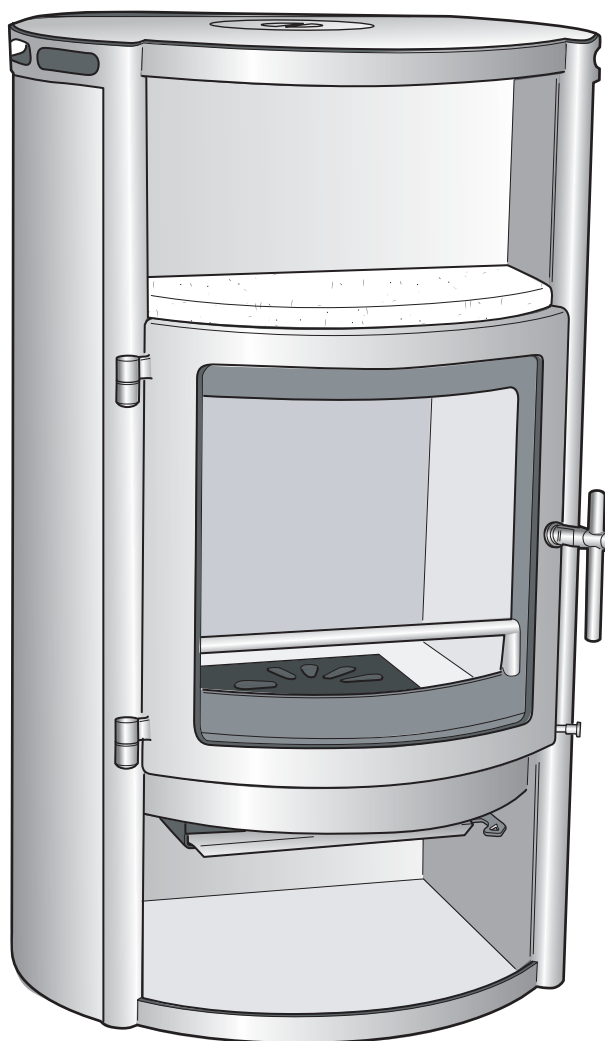
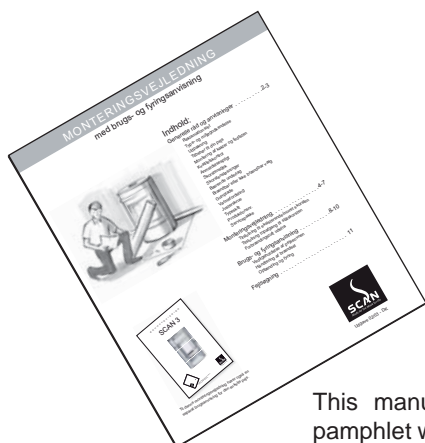


I N S T R U C T I O N S F O R  
I N S T A L L A T I O N A N D U S E

# SCAN 5-2



Approved according to DIN 18891



This manual is accompanied by a pamphlet with General Instructions for Installation.

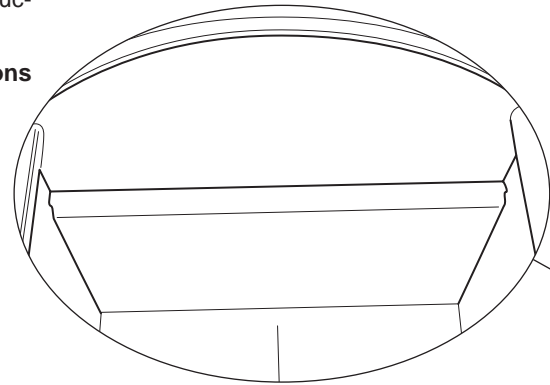


Edition 10.04 - GB

# Congratulations on your new SCAN stove!

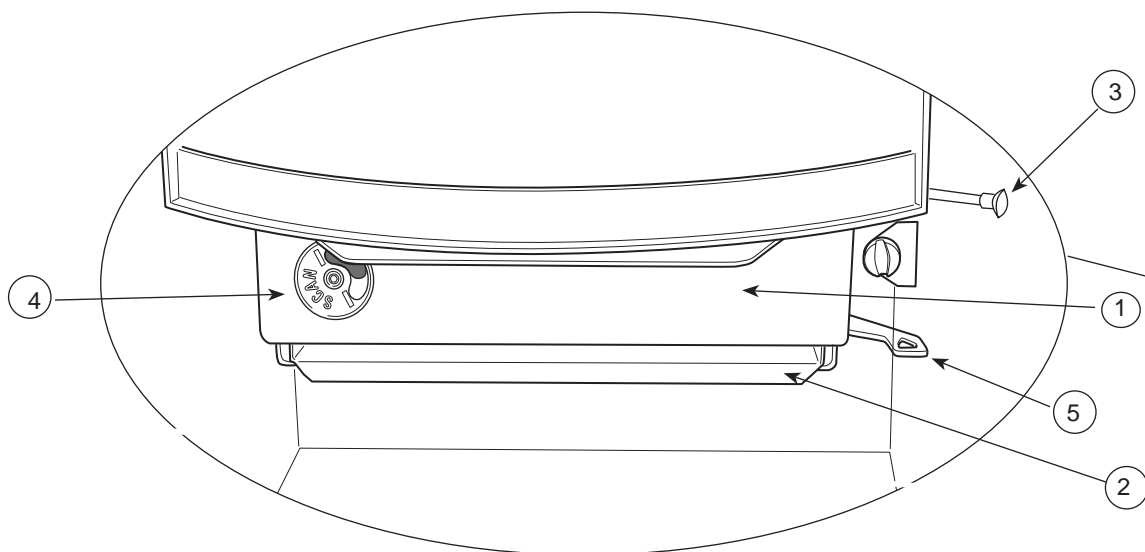
You have chosen a product from one of Europe's leading manufacturers of wood-burning stoves. We are convinced that your stove will be to your full satisfaction and give you many hours of pleasure if you follow the advice and instructions of this manual.

Please read this manual as well as the **General Instructions for Installation** before beginning the installation.



## Ceramic smoke deflector

In order to dismount the ceramic smoke deflector, lift up the plate, hold it at an angle so that it is free of the fitting, and remove it through the combustion chamber.



- ① **Ashtray.** When you open the cover underneath the door, you have access to the ashtray, which is placed below the combustion chamber. **Attention! Be careful when you empty ashes from the stove. There may be embers left for up to 24 hours after the stove was last used.**
- ② **Lid for ashtray.** Under the ashtray you will find a lid to put on top of the ashtray when you carry it out for emptying.
- ③ **Handle for shaking grate.** The stove is equipped with a shaking grate. When you activate the grate handle, the ashes from the combustion chamber are emptied into the ashtray.
- ④ **Regulation for primary air.** Turn the air valve in order to open. The primary air is used when lighting and refuelling the stove. It should always be closed during continuous firing.
- ⑤ **Regulation for combustion air.** Push the button sideways. Left position is closed and right position is open. The air is used for the combustion and regulates the output of the stove.

The ashtray, shaking grate, and primary air should always be closed during continuous firing.

### Adjustment of the air

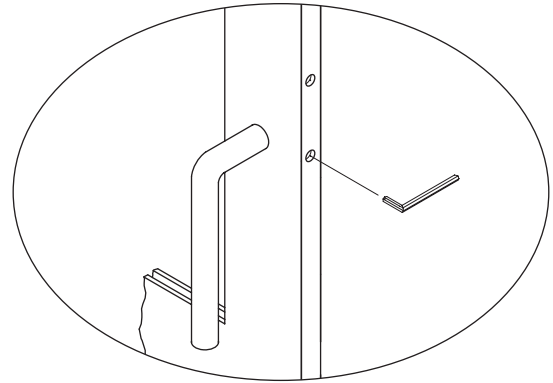
	Wood / briquettes	Fuel kg/h (beechwood max. 20% humidity)
<b>SCAN 5-2</b>		2,0 kg
Combustion air %	100	
Primary air %	0	

## Accessories

For this model you can have the following accessories:

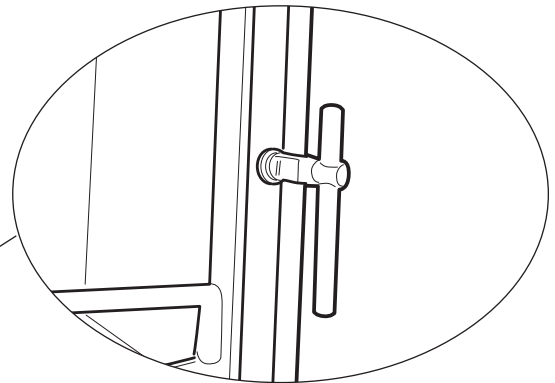
- Lateral covering in soapstone or ceramic tiles
- Top plate in soapstone or ceramic tile
- Baking-compartment door
- Small grill
- Swivel grill
- Steel floor plate
- Connection piece for fresh-air intake

The stove can be prepared for an external air supply where fresh air is let directly into the combustion chamber (must be mounted from the factory).



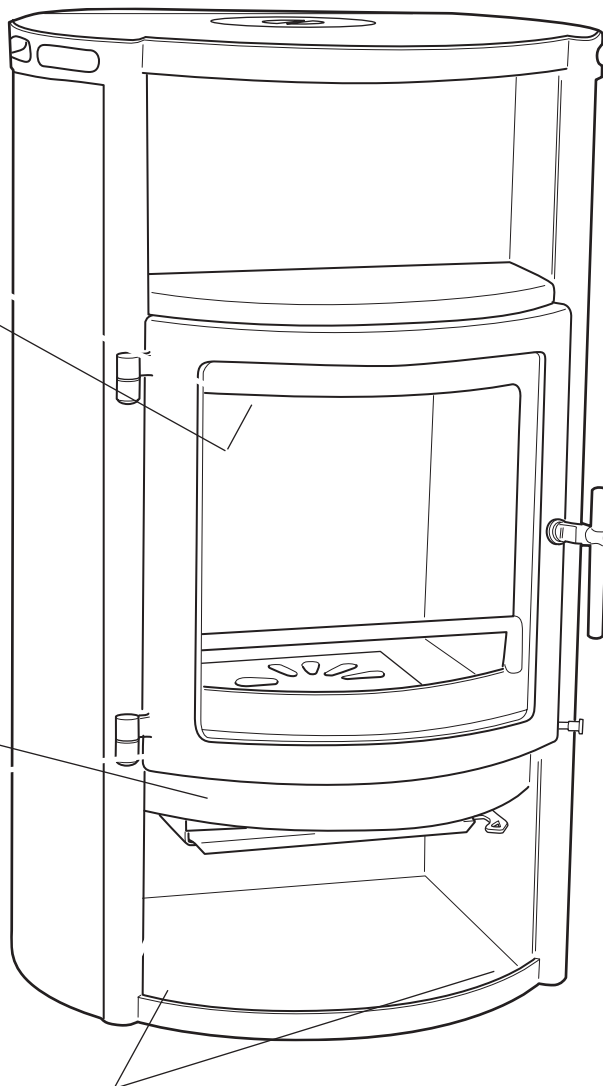
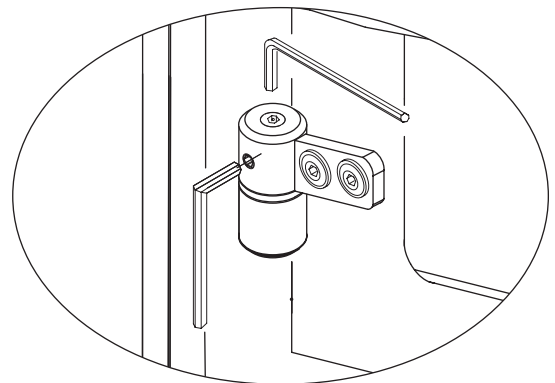
## Adjustment of the handle

You can adjust the handle by loosening the screw opposite the handle. The vertical position of the handle can be adjusted with the other screw.



## Handle

The door is opened by turning the handle counter-clockwise.



## Adjustment screws

The stove has two adjustment screws on the bottom that can be used for levelling the stove.

## Self-closing door (BA 1)

The door is prepared with a self-closing function at the factory. If you tighten the spring with the hexagon spanner, the door will close automatically when you let go of it.

### Data for calculation of the chimney

Stove model	Connecting adaptor	With open doors			With closed doors			
		1 Density of flue gas flow g/s	2 Flue gas temperature °C	3 Minimum draft Pa	4 Density of flue gas flow g/s	5 Flue gas temperature °C	6 Minimum draft Pa	7 0,8 Minimum draft Pa
SCAN	mm							
5-2	150	-	-	-	8	340	14	11

Column 2 and 5 show the flue gas temperature in the connecting adaptor  
 Column 3 and 6 show the lowest/minimum draft in Pa by rated value  
 Column 7 shows the lowest/minimum draft in Pa by 0.8 x rated value

## Warranty conditions

All SCAN wood-burning stoves and inserts are made of first-class material and are subject to a strict quality control before they leave the factory. However, if an error should occur, we back all SCAN wood-burning stoves and inserts with an extensive, five-year limited warranty.

See also the **General Instructions for Installation** delivered with your stove for more details.

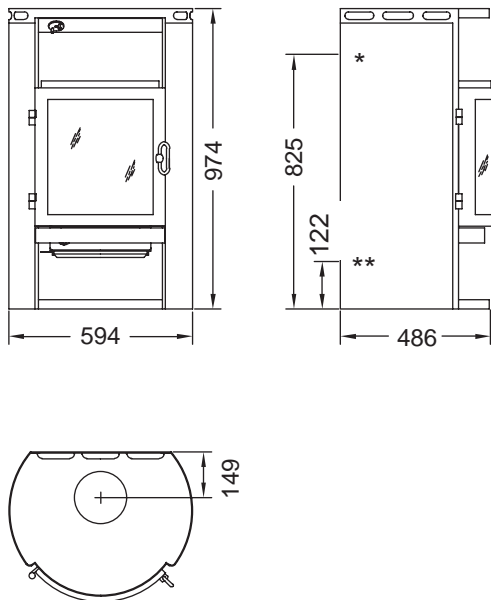
644800

Production number

## Technical info

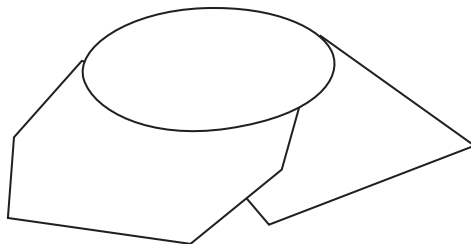
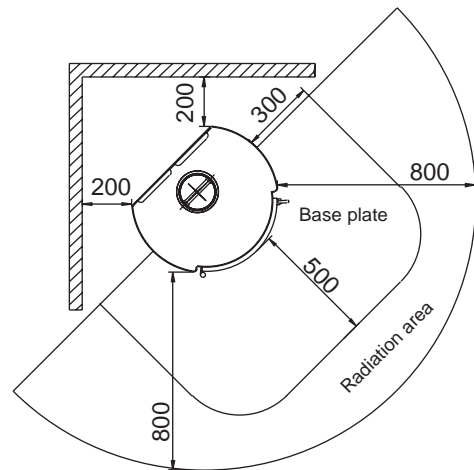
Rated output:	7 kW
Min./max.:	3 - 9 kW
Weight:	155 - 265 kg
Connection piece, diameter:	int. 135 mm / ext. 148 mm

Write the production number of your stove here so that you have it at hand in case you need to contact us.



- \* To the middle of the rear outlet
- \*\* Connection to fresh-air intake

## Distances to flammable materials (mm)



You can choose between several floor plates in different shapes and dimensions for your stove. Please contact your local authorities concerning the security distances needed.

You should read this manual as well as the **General Instructions for Installation** before beginning the installation.