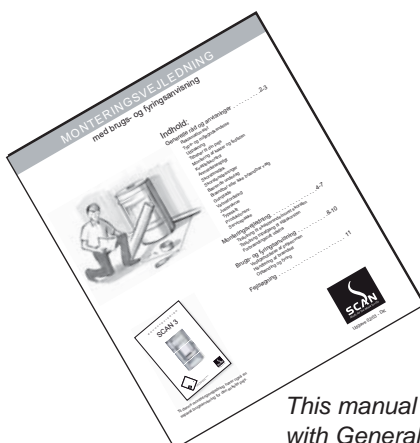


# I N S T R U C T I O N S F O R I N S T A L L A T I O N A N D U S E

## SCAN 55



**EN 13240 2003**



*This manual is accompanied by a pamphlet  
with General Instructions for Installation.*



Edition 03.06 - GB - 02

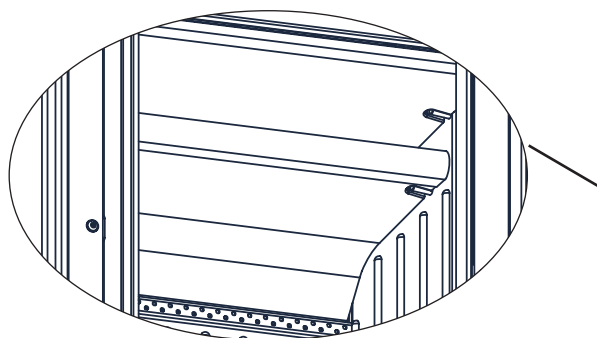
## Congratulations on your new SCAN stove!

You have chosen a product from one of Europe's leading manufacturers of wood-burning stoves. We are convinced that your stove will be to your full satisfaction and give you many hours of pleasure if you follow the advice and instructions of this manual.

Please read this manual as well as the **General Instructions for Installation** before beginning the installation.

### Clean combustion

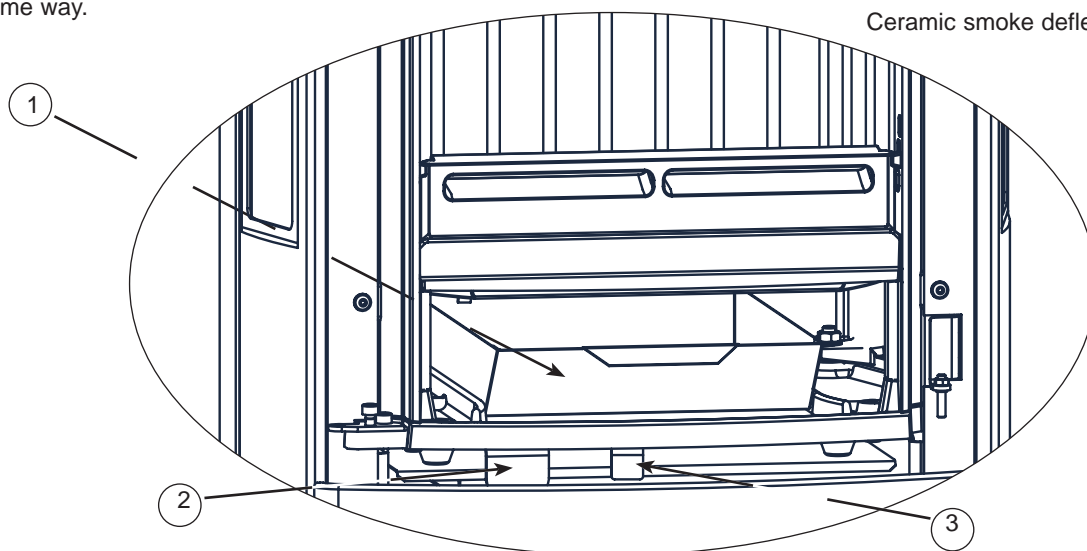
The SCAN 55 uses the "CB technique" (Clean-Burn) to ensure an optimally clean combustion. The extra combustion air is preheated and led into the combustion chamber close to the ceramic smoke deflector.



Ceramic smoke deflectors

### Ceramic smoke deflectors

Lift up the lower ceramic smoke deflector, pull out the pins in the lateral combustion chamber plates and remove the deflector. The upper deflector is removed in the same way.



- 1 **Ashtray.** When you open the door in front of the wood compartment, you have access to the ashtray, which is placed below the combustion chamber. *Attention! Be careful when you empty ashes from the stove. There may be embers left for up to 24 hours after the stove was last used.*
- 2 **Handle for shaking grate.** The stove is equipped with a shaking grate. When you activate the grate handle, the ashes from the combustion chamber are emptied into the ashtray.
- 3 **Regulation for primary air.** Push the air control rod sideways. Left position is closed and right position is open. The primary air is used when lighting and refuelling the stove. It should always be closed during continuous firing.

The ashtray, shaking grate, and primary air should always be closed during continuous firing.

### Adjustment of the air + fuel consumption (EN 13240):

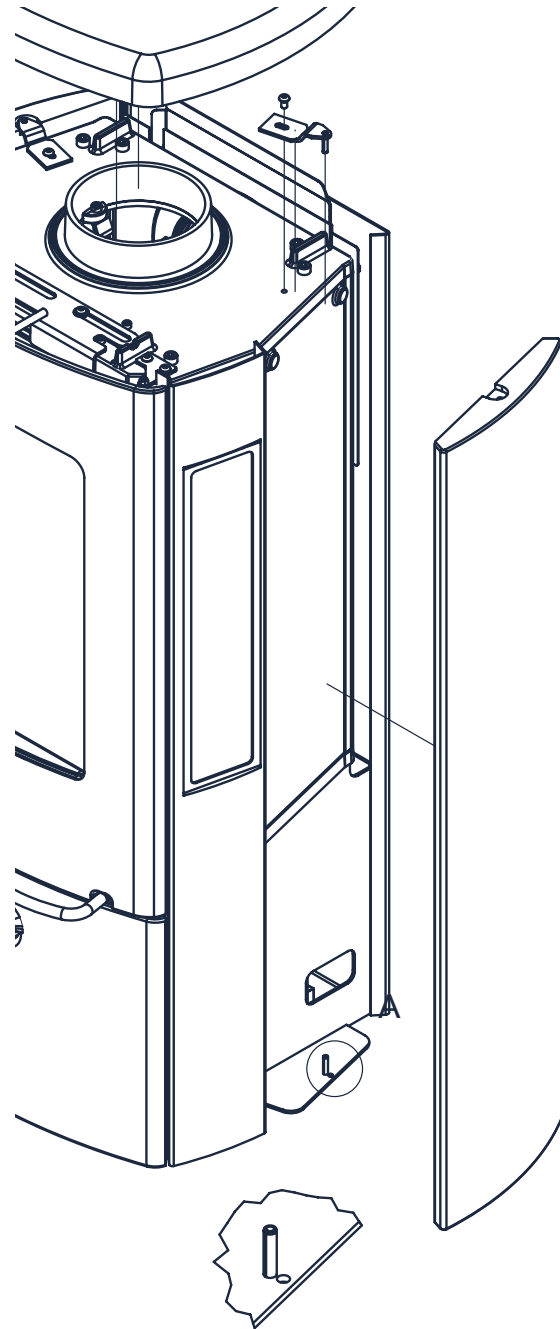
Combustion air %	Primary air %	Max. fuel, kg	Fuel consumption, kg/h
75	75	2	2,02

## Accessories

For this model you can have the following accessories:

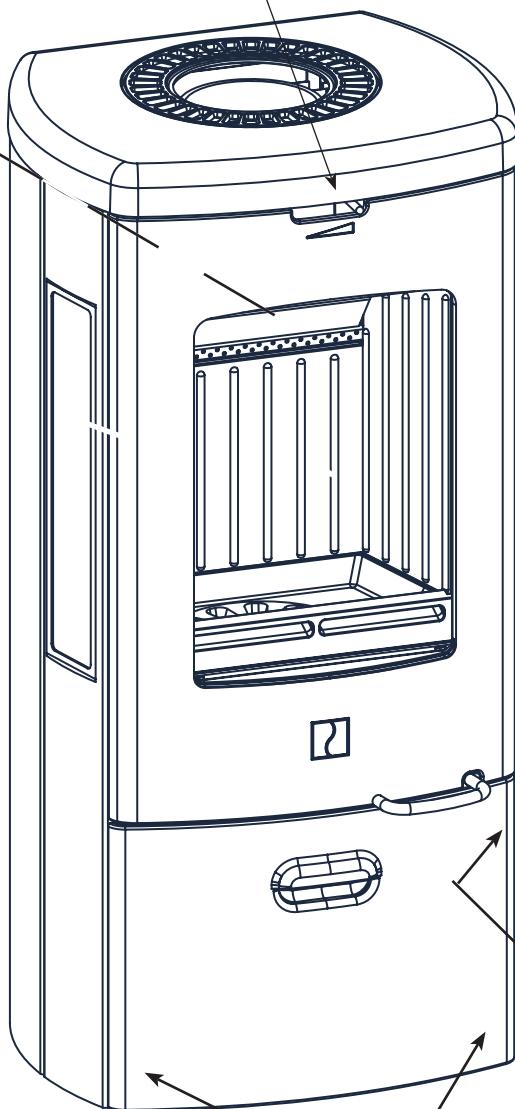
- Lateral covering in soapstone
- Top plate in soapstone
- Steel floor plate
- Shaped floor plate in steel or glass
- Connection piece for fresh-air intake

**Regulation for combustion air.** Push the air control rod sideways. Left position is closed and right position is open. The air is used for combustion and re-gulates the output of the stove.



## Mounting of the lateral soap stones

Place the lateral soap stones on the pins (A). Put the pin on the top of the stove into the soap stone and tighten the fitting.



## Adjustment screws

The stove has two adjustment screws on the bottom that can be used for levelling the stove.

When using a shaped floor plate, the stove must be adjusted upwards to allow the plate to be pushed under the front of the stove.

644800

Production number

Write the production number of your stove here so that you have it at hand in case you need to contact us.

You should read this manual as well as the **General Instructions for Installation** before beginning the installation.

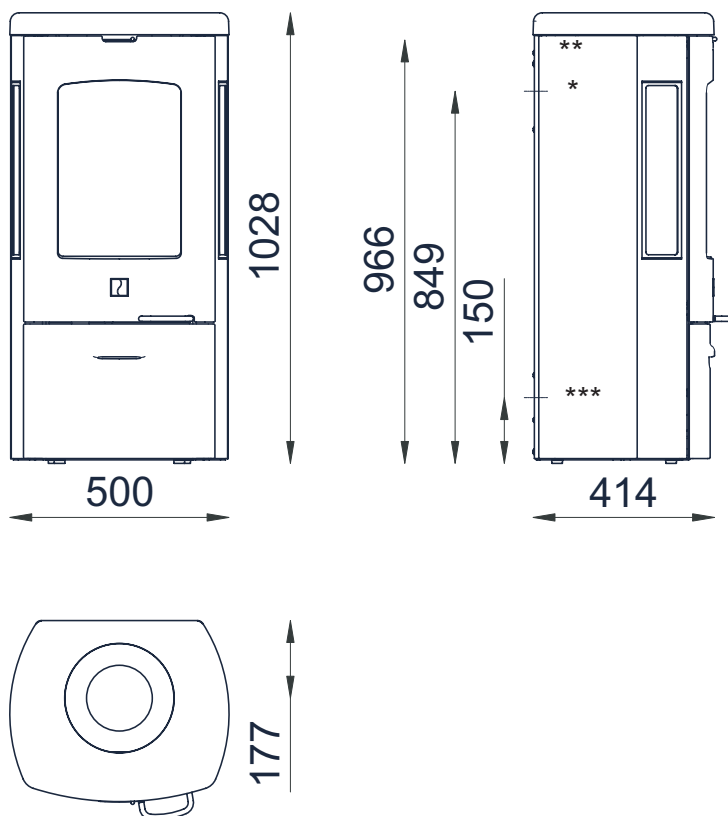
## Warranty conditions

All SCAN wood-burning stoves and inserts are made of first-class material and are subject to a strict quality control before they leave the factory. However, if an error should occur, we back all SCAN wood-burning stoves and inserts with an extensive, five-year limited warranty.

See also the **General Instructions for Installation** delivered with your stove for more details.

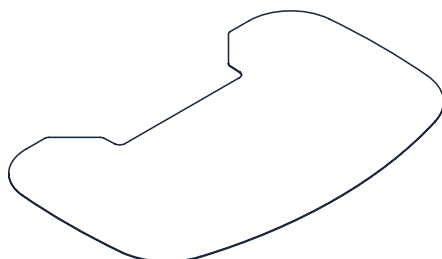
## Technical info

Emission (% CO at 13% O <sub>2</sub> ):	0.1%
Efficiency:	71%
Rated output:	6 kW
Chimney temperature:	334 °C
Flue outlet flow:	7.1 g/sec
Recommended low pressure in conn. piece:	18 Pa
Recommended fuel:	Wood
Amount of fuel:	2,1 kg
Min./max. (information from the factory):	3-9 kW
Weight, stove with convection:	136 kg
Weight, stove with soap stone:	240 kg
Connection piece, int. diameter:	135 mm
Connection piece, ext. diameter:	148 mm



- \* To the middle of the rear outlet
- \*\* Height to the beginning of the flue pipe at top outlet
- \*\*\* Connection piece to fresh-air intake

You can choose between several floor plates in different shapes and dimensions for your stove. Furthermore, you can have a specially made, shaped floor plate for the SCAN 55, which is to be placed in front of the stove. Please contact your local authorities concerning the security distances needed.



## Declaration of Conformity

Manufacturer:  
Krog Iversen & Co. A/S  
DK - 5492 Vissenbjerg

Product:  
SCAN 55

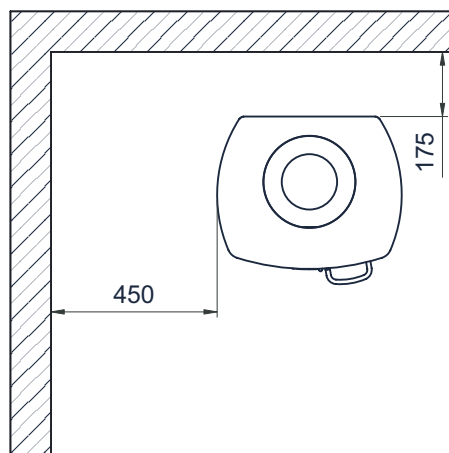
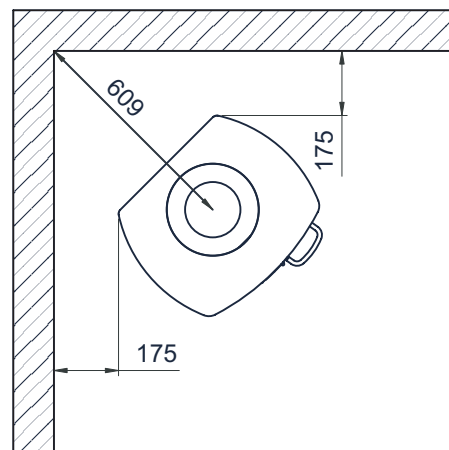
Description of product:  
Room heater for closed operation

This product complies with the requirements  
of the directive  
CPD 89/106/EEC

Applied to harmonized standard EN 13240

Signature:   
Managing director Henning Krog Iversen

## Distance to flammable materials (mm):



Distance to furniture: 800 mm