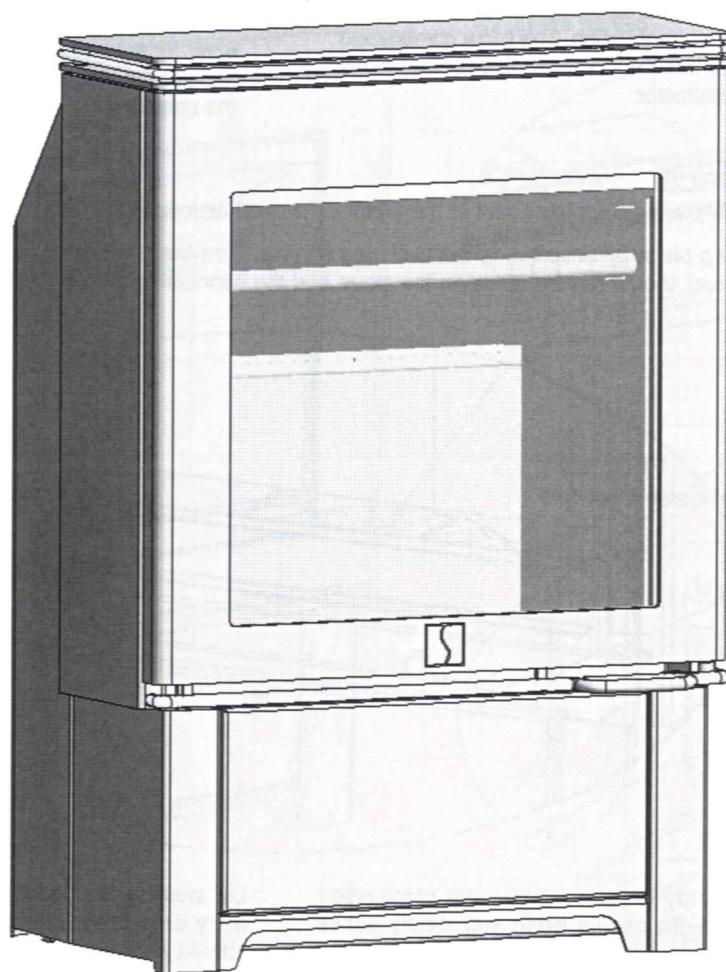


I N S T R U C T I O N S F O R
I N S T A L L A T I O N A N D U S E

SCAN 61



Approved according to EN 13240



*This manual is accompanied by a pamphlet
with General Instructions for Installation.*



made for fire made for life

Edition 08.05 - GB

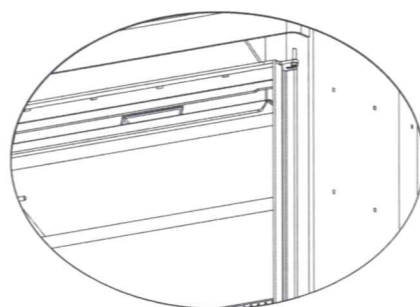
Congratulations on your new SCAN stove!

You have chosen a product from one of Europe's leading manufacturers of wood-burning stoves. We are convinced that your stove will be to your full satisfaction and give you many hours of pleasure if you follow the advice and instructions of this manual.

Please read this manual as well as the **General Instructions for Installation** before beginning the installation.

Clean combustion

The SCAN 61 uses the "CB technique" (Clean-Burn) to ensure an optimally clean combustion. The extra combustion air is preheated and led into the combustion chamber close to the ceramic smoke deflector.



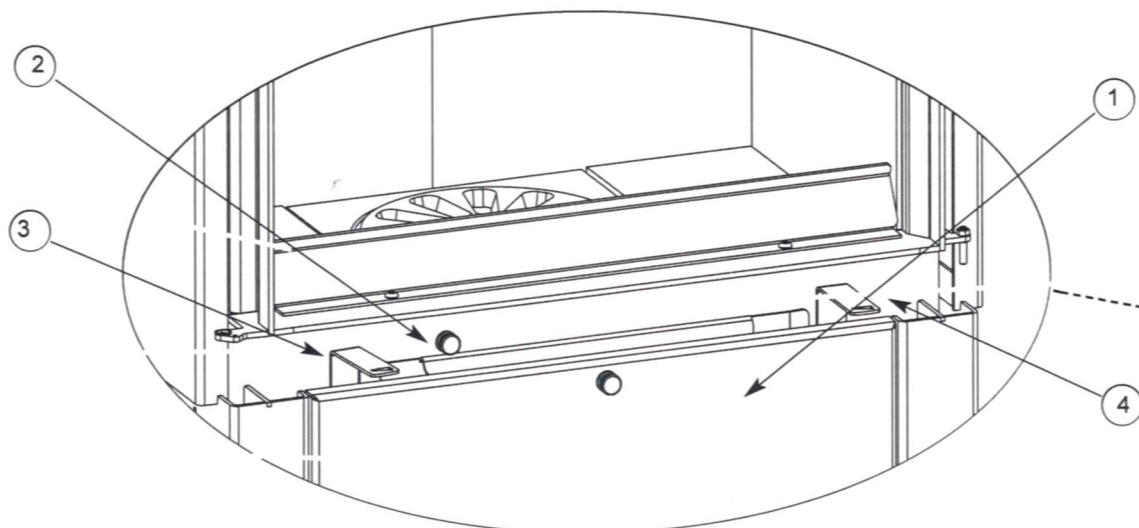
Ceramic smoke deflectors

Lift up the lower ceramic smoke deflector, pull out the pins in the lateral combustion chamber plates and remove the deflector. The upper deflector is removed in the same way.

Connecting piece

The connecting piece is prepared for top outlet at the factory. Proceed as follows for rear outlet:

Dismount the connecting piece by unscrewing the two wing screws. Turn the connecting piece around and tighten it with the wing screws. The ceramic joint should remain between the stove and the connecting piece.



- 1 **Ashtray.** The ashtray is placed below the combustion chamber. *Attention! Be careful when you empty ashes from the stove. There may be embers left for up to 24 hours after the stove was last used.*
- 2 **Handle for shaking grate.** The stove is equipped with a shaking grate. When you activate the grate handle, the ashes from the combustion chamber are emptied into the ashtray.
- 3 **Regulation for primary air.** Push the button sideways.

Left position is closed and right position is open. The primary air is used when lighting and refuelling the stove. It should always be closed during continuous firing.

- 4 **Regulation for combustion air.** Push the button sideways. Left position is closed and right position is open. The air is used for combustion and regulates the output of the stove.

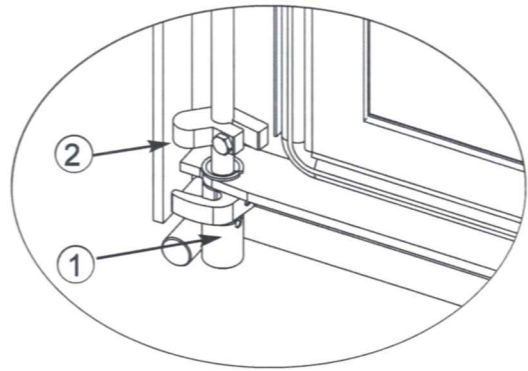
The ashtray, shaking grate, and primary air should always be closed during continuous firing.

Accessories

For this model you can have the following accessories:

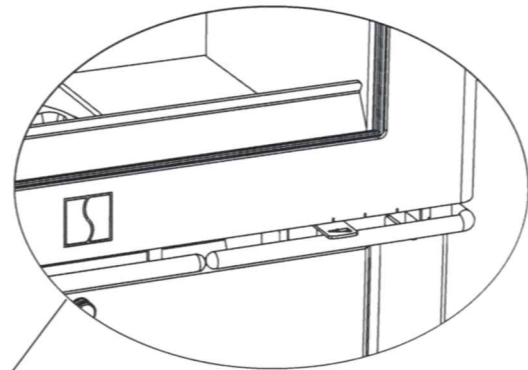
- Lateral covering in soapstone
- Large grill
- Connection piece for fresh-air intake

The stove can be prepared for an external air supply where fresh air is let directly into the combustion chamber (can also be done subsequently by the authorized dealer).



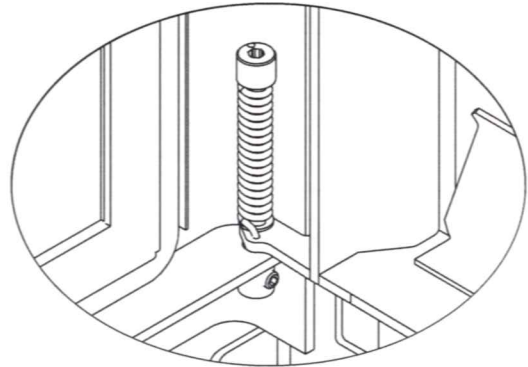
Adjustment of the handle

Loosen the screw (1), then turn the stopper (2) to adjust the handle.



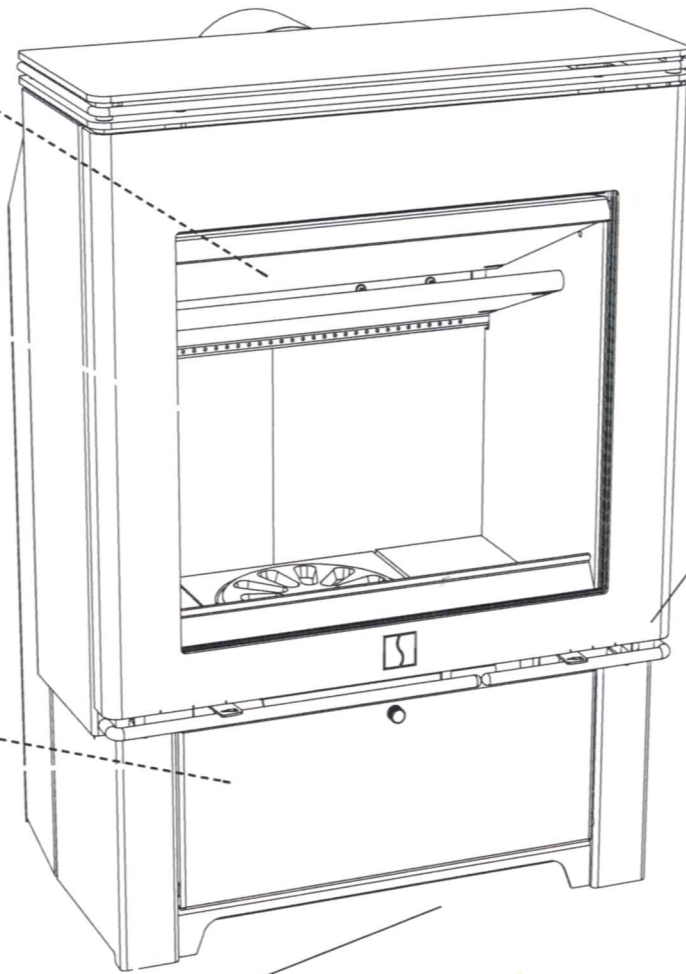
Handle

Pull out the handle to open.



Self-closing door (BA 1)

The door is prepared with a self-closing function at the factory. If you tighten the spring with the hexagon spanner, the door will close automatically when you let go of it.



Adjustment screws

The stove has two adjustment screws on the bottom that can be used for levelling the stove.

Data for calculation of the chimney and adjustment of the air according to EN 13240:

Combustion air	Primary air	Max. fuel	Chimney draught, min.	Flue outlet flow	Temperature of flue outlet behind flue collar	Rated output	Fuel consumption	Efficiency
%	%	kg	Pa.	g/s	°C	kW	kg/h	%
75	0	2.1	15	8.1	305	7	2.1	78

SCAN 61

Warranty conditions

All SCAN wood-burning stoves and inserts are made of first-class material and are subject to a strict quality control before they leave the factory. However, if an error should occur, we back all SCAN wood-burning stoves and inserts with an extensive, five-year limited warranty.

See also the **General Instructions for Installation** delivered with your stove for more details.

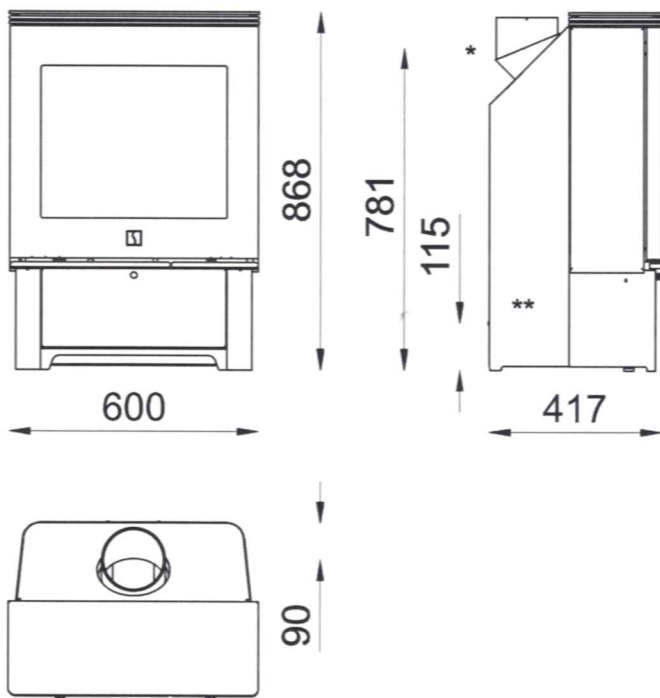
644800

Production number

Technical info

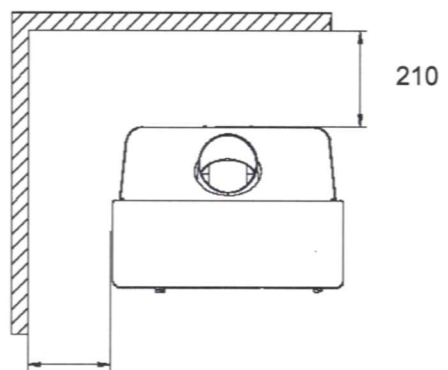
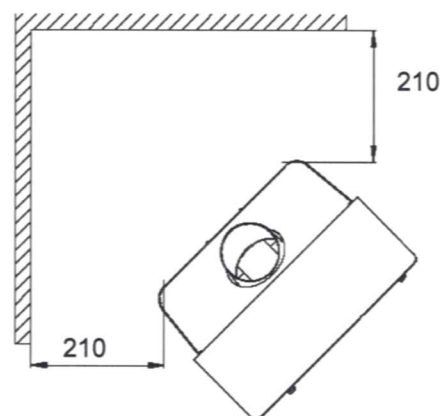
Rated output: 7 kW
Min./max.: 3-9 kW
Weight: 122-137 kg
Connection piece, diameter: int. 135 mm / ext. 148 mm

Write the production number of your stove here so that you have it at hand in case you need to contact us.

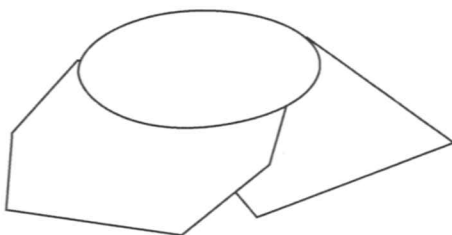


- * To the middle of the rear outlet
- ** Connection piece to fresh-air intake

Distances to flammable materials (mm)



Distance to furniture: 800 mm



You can choose between several floor plates in different shapes and dimensions for your stove. Please contact your local authorities concerning the security distances needed.