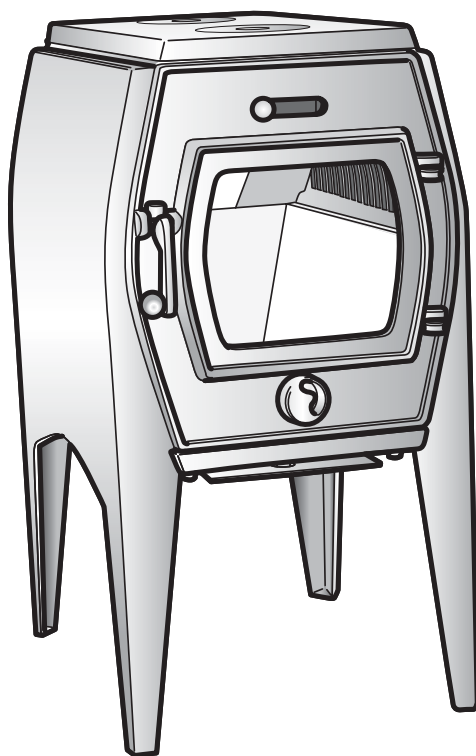


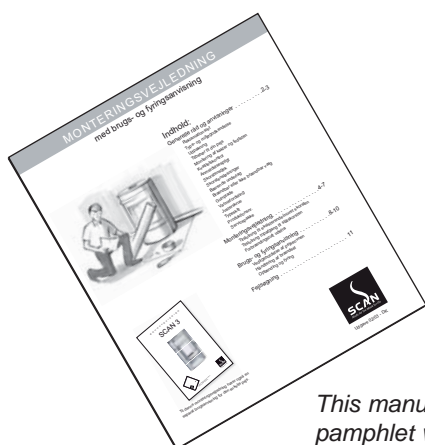
I N S T R U C T I O N S F O R  
I N S T A L L A T I O N A N D U S E

# SCAN

# Andersen 1



Approved according to DIN 18891



*This manual is accompanied by a pamphlet with General Instructions for Installation.*



Edition 10.04 - GB

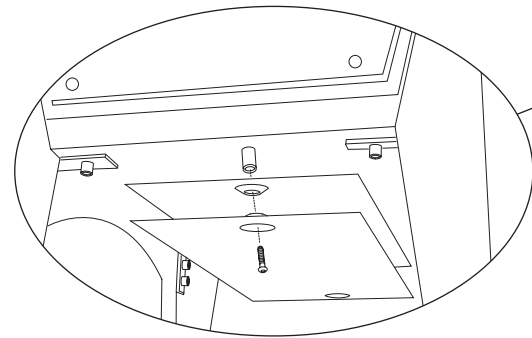
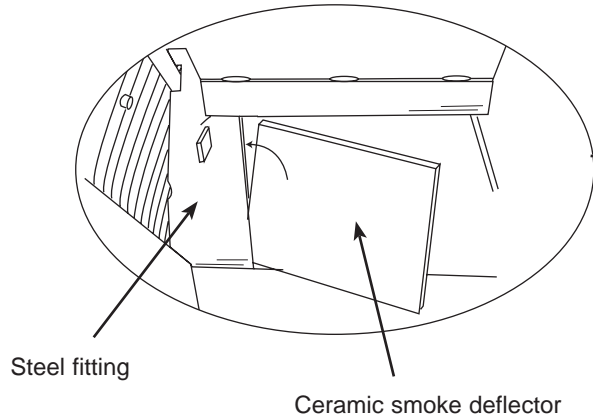
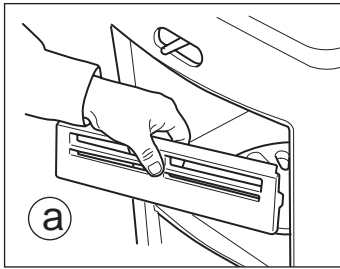
## Congratulations on your new SCAN stove!

You have chosen a product from one of Europe's leading manufacturers of wood-burning stoves. We are convinced that your stove will be to your full satisfaction and give you many hours of pleasure if you follow the advice and instructions of this manual.

Please read this manual as well as the **General Instructions for Installation** before beginning the installation.

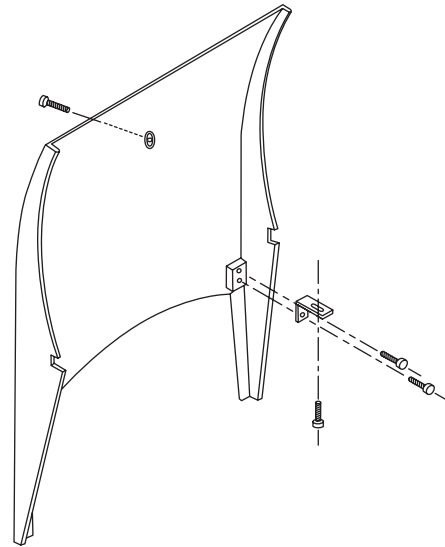
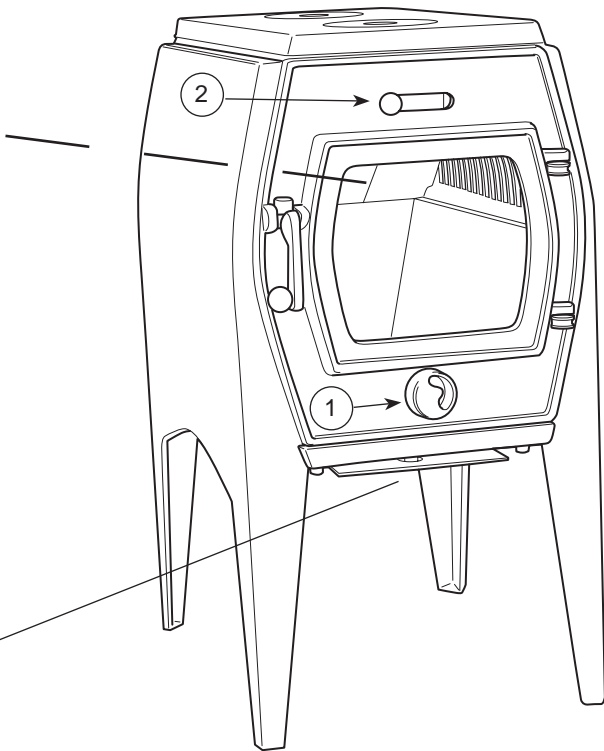
### Ceramic smoke deflector

In order to dismount the ceramic smoke deflector, you should first remove the log guard (a) and one of the steel fittings on which the plate rests. Lift up the fitting, where after the rear part of the plate can be released from the rear firebrick. Then lift up the ceramic smoke deflector until this is also released from the rear firebrick.



### Mounting of the heat shields

You have to mount separate heat shields under the SCAN Andersen 1. Place the stove carefully on the back and mount the heat shields as shown on the sketch.



## Mounting of the convection plates

Mount the convection plates as shown on the sketch. The screws and fittings are delivered together with the convection plates.

## Mounting of the legs

Mount the legs according to the same procedure as the convection sides.

- ① **Regulation for primary air.** Turn the air valve in order to open. The primary air is used when lighting and refuelling the stove. It can be closed during continuous firing.
- ② **Regulation for combustion air.** Push the button sideways. Left position is closed and right position is open. The air is used for the combustion and regulates the output of the stove.

**Attention! Be careful when you empty ashes from the stove. There may be embers left for up to 24 hours after the stove was last used.**

## Adjustment of the air

	Wood / briquettes	Fuel kg/h (beechwood max. 20% humidity)
<b>SCAN Andersen 1</b>		1,8 kg
Combustion air %	100	
Primary air %	100	

You should read this manual as well as the **General Instructions for Installation** before beginning the installation.

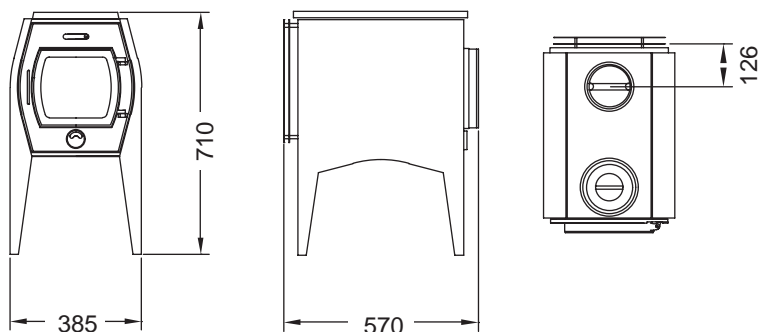
## Warranty conditions

All SCAN wood-burning stoves and inserts are made of first-class material and are subject to a strict quality control, before they leave the factory. However, if an error should occur, we back all SCAN wood-burning stoves and inserts with an extensive, five-year limited warranty.

See also the **General Instructions for Installation** delivered with your stove for more details.

## Technical info

Rated output:	6 kW
Min./max.:	2 - 8 kW
Weight of radiation stove:	70 kg
Weight of convection stove:	92 kg
Connection piece diameter:	int. 120 mm/ext. 128 mm



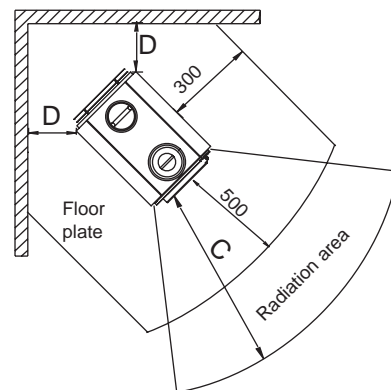
Stove with convection

## Distances to flammable materials (mm)

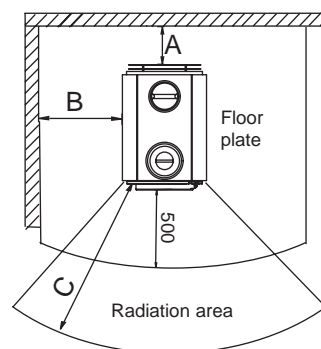
You should observe the following minimum distances from the sides of the stove:

	A	B	C	D
SCAN A1				
Connection stove	200	200	800	200

### Corner



### Wall



For radiation stoves, the distance to the side walls is as follows:

CORNER: 300 mm

WALL: 450 mm

## Data for calculation of the chimney

Stove model	Connecting adaptor	With open doors			With closed doors			
		1 Density of flue gas flow g/s	2 Flue gas temperature °C	3 Minimum draft Pa	4 Density of flue gas flow g/s	5 Flue gas temperature °C	6 Minimum draft Pa	7 0,8 Minimum draft Pa
SCAN	mm							
A1	130	-	-	-	7,3	270	13	11

Column 5 shows the flue gas temperature in the connecting adaptor

Column 6 shows the lowest/minimum draft in Pa by rated value

Column 7 shows the lowest/minimum draft in Pa by 0.8 x rated value