

I N S T R U C T I O N S F O R  
I N S T A L L A T I O N A N D U S E

# SCAN

## Andersen 4-2



### Declaration of Conformity

Manufacturer:  
Krog Iversen & Co. A/S  
DK - 5492 Vissenbjerg

Product:  
SCAN Andersen 4-2

Description of product:  
Room heater for closed operation

This product complies with the requirements  
of the directive  
CPD 89/106/EEC

Applied to harmonized standard EN 13240

Signature:   
Managing director Henning Krog Iversen



Approved according to EN 13240 2003

*This manual is accompanied by a pamphlet with General instructions for Installation.*



Edition 09/06 - GB

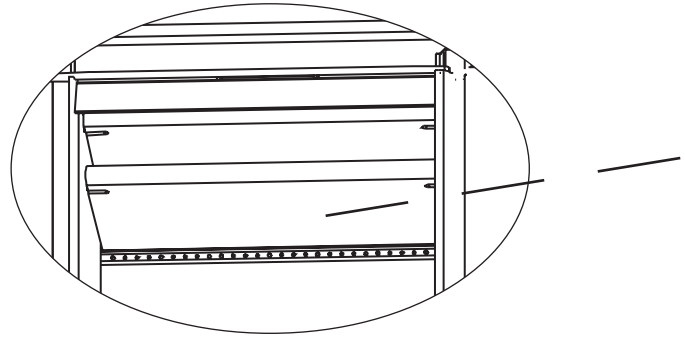
## Congratulations on your new SCAN Andersen-stove!

You have chosen a product from one of Europe's leading manufacturers of wood-burning stoves. We are convinced that your stove will be to your full satisfaction and give you many hours of pleasure if you follow the advice and instructions of this manual.

Please read this manual as well as the **General Instructions for Installation** before beginning the installation.

### Clean combustion

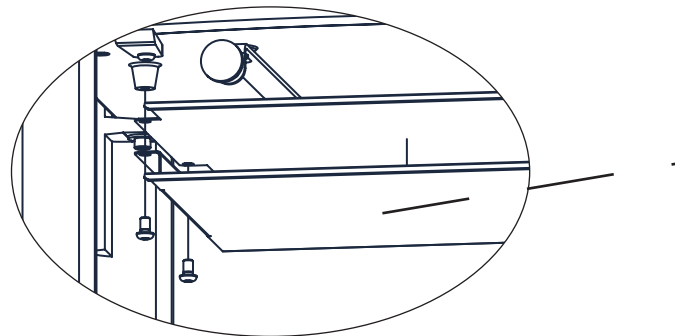
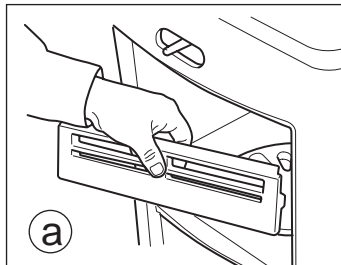
The SCAN Andersen 4-2 uses the "CB technique" (Clean-Burn) to ensure an optimally clean combustion. The extra combustion air is preheated and led into the combustion chamber close to the ceramic smoke deflector.



Ceramic smoke deflectors

### Ceramic smoke deflectors

Follow the sketches below for the dismantling of the ceramic smoke deflectors. Remove the log guard (a). Lift the lower smoke deflector plate, pull out the pins of the lateral firebricks, and remove the plate. The upper smoke deflector plate can be removed in the same way.



### Mounting of the heat shields

You have to mount separate heat-shields under the SCAN Andersen 4-2. Place the stove carefully on the back and mount the heat-shields

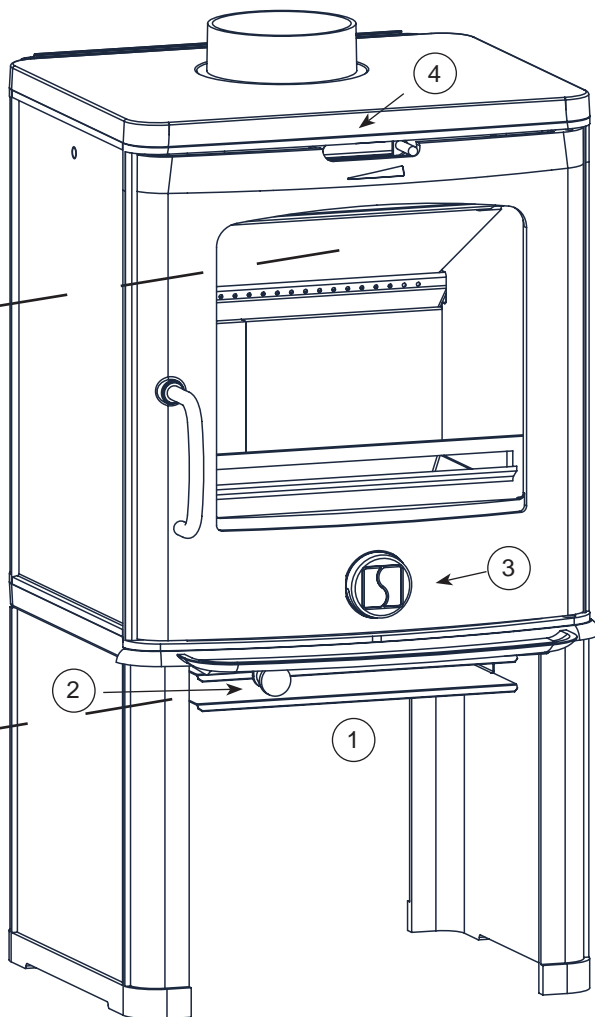
### Handle

Your stove is equipped with a loose handle, which is practical if you have small children. Put the handle into the hole and turn it to open the door. If you want a firm handle, you can mount the long screw that you will find in the service bag.

### Adjustment of the air

|                          | Wood / briquettes | Fuel consumption kg/h |
|--------------------------|-------------------|-----------------------|
| <b>SCAN Andersen 4-2</b> |                   | 1,3 kg                |
| Combustion air %         | 55                |                       |
| Primary air %            | 75                |                       |

## Mounting of the side covering:



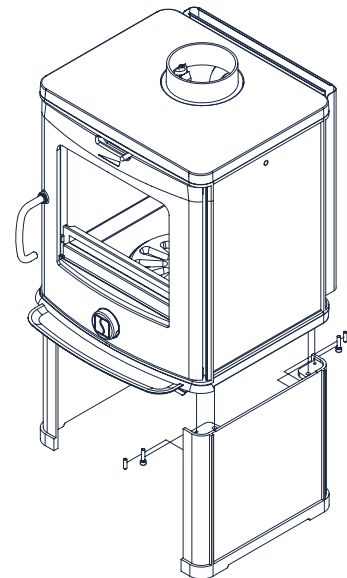
- ① **Ashtray.** When you open the door, you have access to the ashtray, which is placed below the combustion chamber.

**Attention! Be careful when you empty ashes from the stove. There may be embers left for up to 24 hours after the stove was last used.**

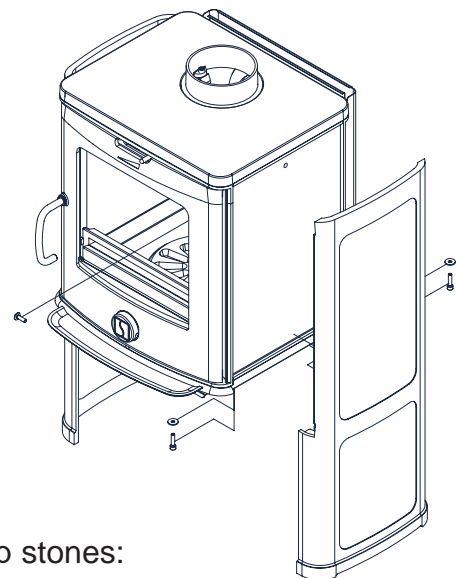
- ② **Handle for shaking grate.** The stove is equipped with a shaking grate. When you activate the grate handle, the ashes from the combustion chamber are emptied into the ashtray.
- ③ **Regulation for primary air.** Turn the air valve in order to open. The primary air is used when lighting and refuelling the stove. It should always be closed during continuous firing.
- ④ **Regulation for combustion air.** Push the button sideways. Left position is closed and right position is open. The air is used for the combustion and regulates the output of the stove.

The ashtray, shaking grate, and primary air should always be closed during continuous firing.

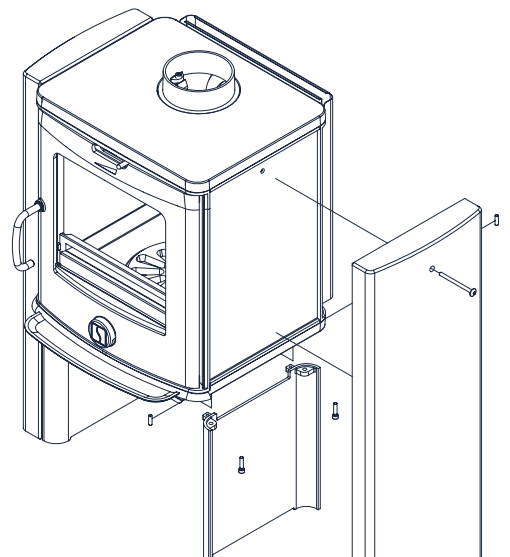
Base:



Convection plates:



Soap stones:



You should read this manual as well as the **General Instructions for Installation** before beginning the installation.

## Warranty conditions

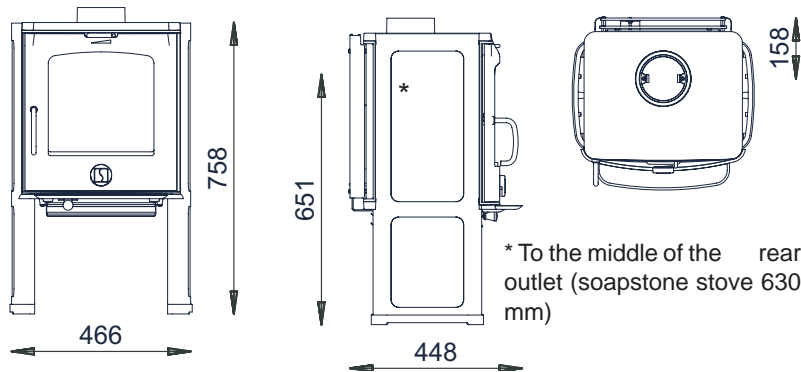
All SCAN wood-burning stoves and inserts are made of first-class material and are subject to a strict quality control before they leave the factory. However, if an error should occur, we back all SCAN wood-burning stoves and inserts with an extensive, five-year limited warranty.

See also the **General Instructions for Installation** delivered with your stove for more details.

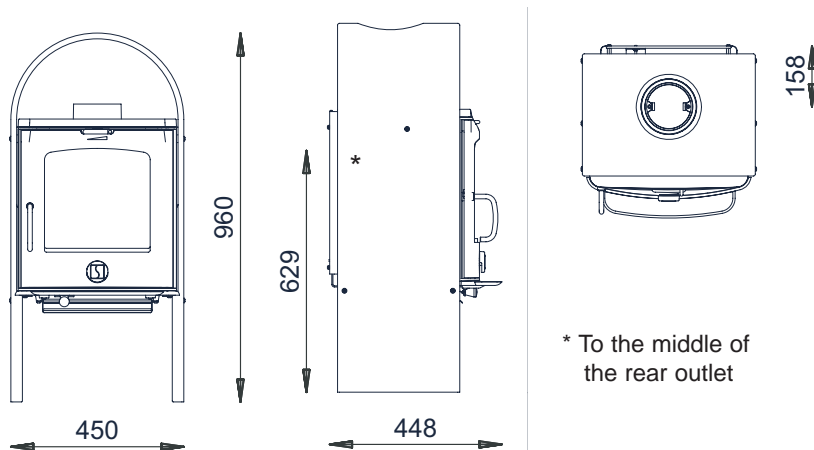
## Technical info

|   |          |
|---|----------|
| Efficiency:                               | 77%      |
| Rated output:                             | 4 kW     |
| Min./max.:                                | 2 - 6 kW |
| Weight of convection stove:               | 93 kg    |
| Weight of stove with curved steel mantle: | 78 kg    |
| Weight of stove with soap stones:         | 178 kg   |

### Stove with convection sides



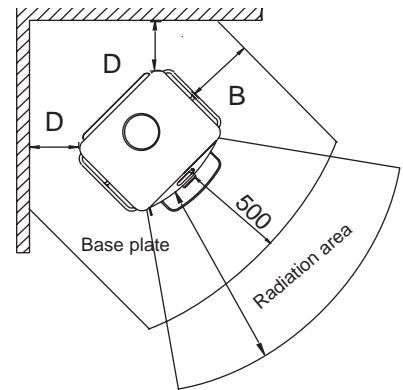
### Stove with curved mantle



## Distances to flammable materials (mm)

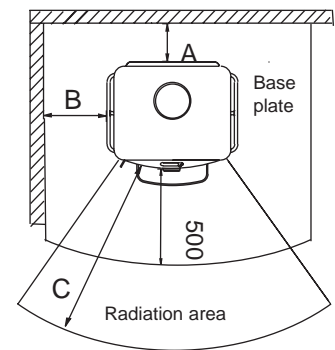
The following minimum distances should be observed:

| SCAN And. 4-2<br>Connection stove | A   | B   | C   | D   |
|-----------------------------------|-----|-----|-----|-----|
| EN 13240                          | 300 | 300 | 850 | 300 |



For stoves without convection channels, the minimum distances increase as follows:

- Distance to furniture: 850 mm
- Distance to the rear: 300 mm
- Distance to the side, 90 degrees : 400 mm



## Data for calculation of the chimney

| Stove model | Connecting adaptor | With open doors                   |                              |                       | With closed doors                 |                              |                       |  |
|-------------|--------------------|-----------------------------------|------------------------------|-----------------------|-----------------------------------|------------------------------|-----------------------|--|
|             |                    | 1<br>Density of flue gas flow g/s | 2<br>Flue gas temperature °C | 3<br>Minimum draft Pa | 4<br>Density of flue gas flow g/s | 5<br>Flue gas temperature °C | 6<br>Minimum draft Pa |  |
| SCAN        |                    |                                   |                              |                       |                                   |                              |                       |  |
| A4-2        | 130                | -                                 | -                            | -                     | 4,7                               | 269                          | 15                    |  |

Column 5 shows the flue gas temperature in the connecting adaptor  
 Column 6 shows the lowest/minimum draft in Pa by rated value  
 Column 7 shows the lowest/minimum draft in Pa by 0.8 x rated value