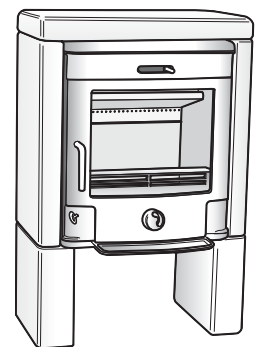
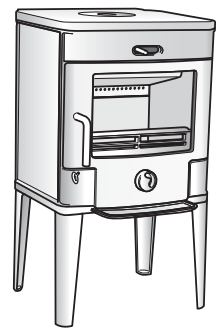
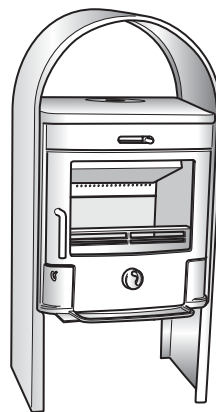
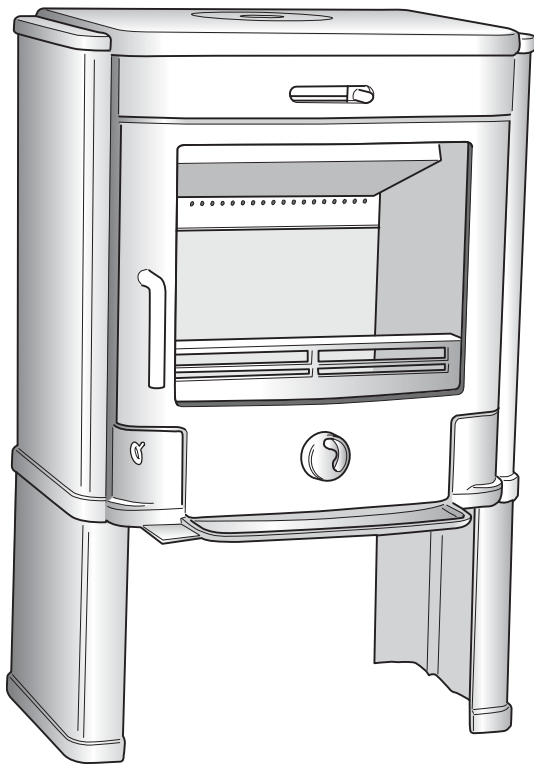


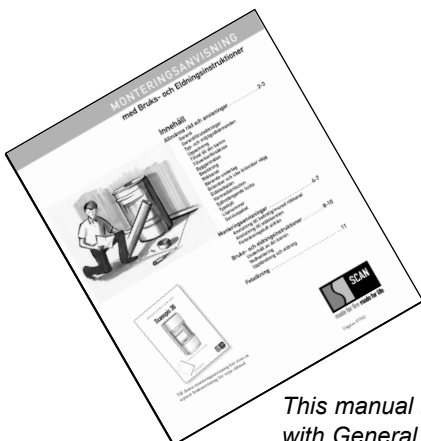
I N S T R U C T I O N S F O R
I N S T A L L A T I O N A N D U S E

SCAN

Andersen 4



Approved according to DIN 18891



This manual is accompanied by a pamphlet with General instructions for Installation.



made for fire made for life

Edition 10.04 - GB

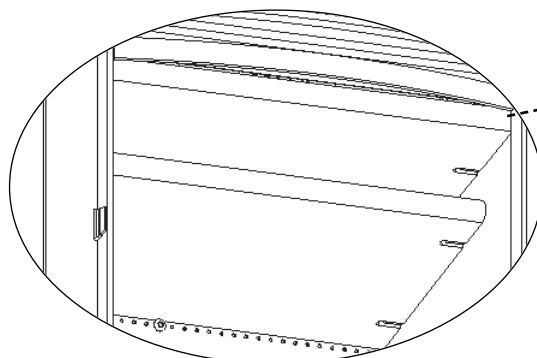
Congratulations on your new SCAN Andersen-stove!

You have chosen a product from one of Europe's leading manufacturers of wood-burning stoves. We are convinced that your stove will be to your full satisfaction and give you many hours of pleasure if you follow the advice and instructions of this manual.

Please read this manual as well as the **General Instructions for Installation** before beginning the installation.

Clean combustion

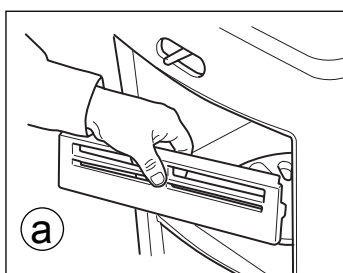
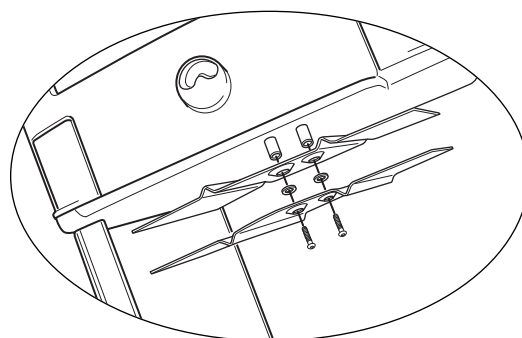
The SCAN Andersen 4 uses the "CB technique" (Clean-Burn) to ensure an optimally clean combustion. The extra combustion air is pre-heated and led into the combustion chamber close to the ceramic smoke deflector.



Ceramic smoke deflectors

Ceramic smoke deflectors

Follow the sketches below for the dismantling of the ceramic smoke deflectors. Remove the log guard (a). Lift the lower smoke deflector plate, pull out the pins of the lateral firebricks, and remove the plate. The upper smoke deflector plate can be removed in the same way.



Mounting of the heat shields

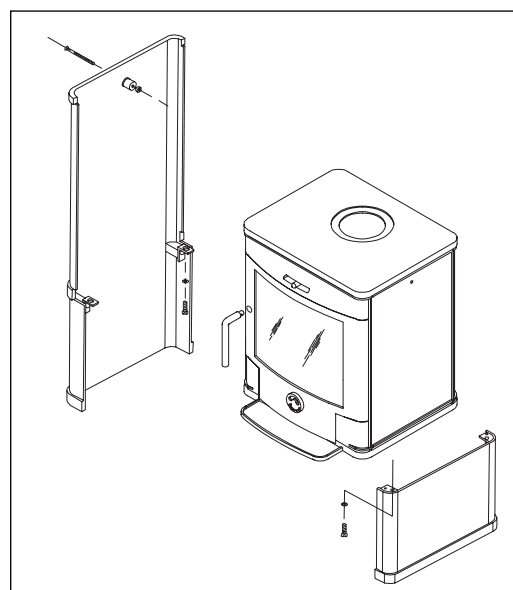
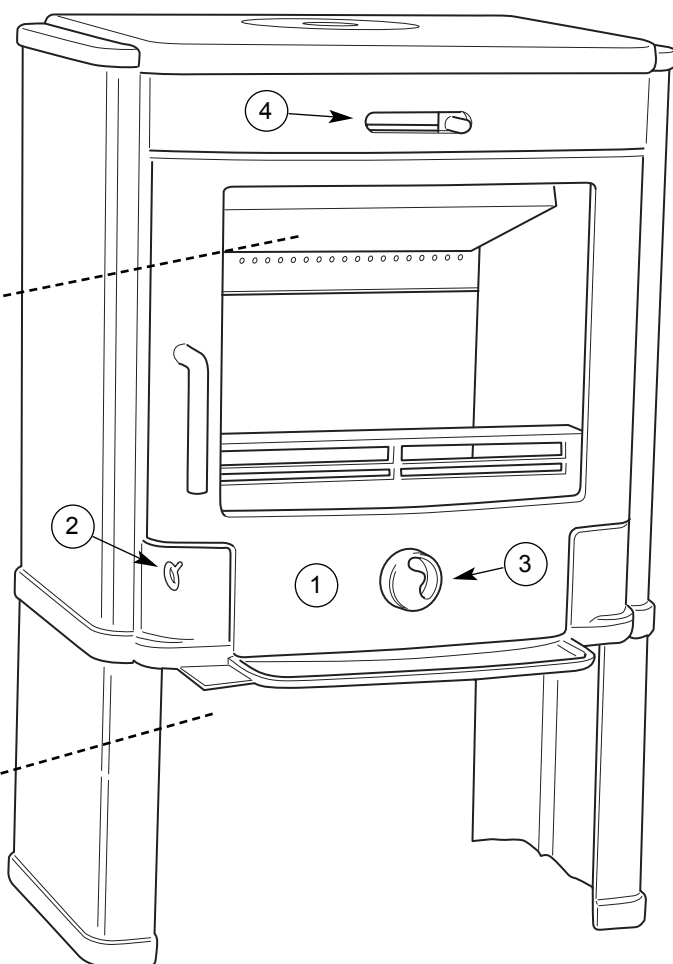
You have to mount separate heat-shields under the SCAN Andersen 4. Place the stove carefully on the back and mount the heat-shields as shown on the sketch.

Building-in

If the stove is to be built in, you must block the four holes in the bottom, as the stove will otherwise draw in false air.

Adjustment of the air

	Wood / briquettes	Fuel kg/h (beechwood max. 20% humidity)
SCAN Andersen 4		1,8 kg
Combustion air %	100	
Primary air %	0-25	

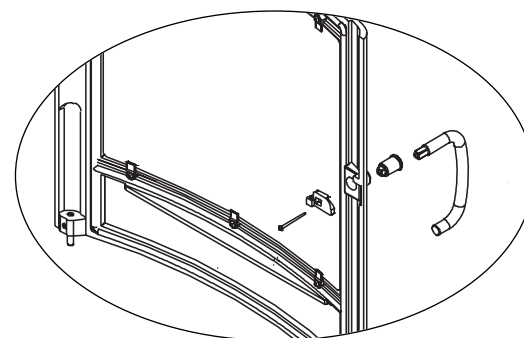


Mounting of the convection plates and the base

Place the stove carefully on the back and mount the convection plates/base as shown on the sketch. The screws and fittings are delivered together with the convection plates/base.

Mounting of the soapstones

An instruction is delivered together with the soapstones.



- ① **Ashtray.** When you open the door, you have access to the ashtray, which is placed below the combustion chamber.

Attention! Be careful when you empty ashes from the stove. There may be embers left for up to 24 hours after the stove was last used.

- ② **Handle for shaking grate.** The stove is equipped with a shaking grate. When you activate the grate handle, the ashes from the combustion chamber are emptied into the ashtray.
- ③ **Regulation for primary air.** Turn the air valve in order to open. The primary air is used when lighting and refuelling the stove. It should always be closed during continuous firing.
- ④ **Regulation for combustion air.** Push the button sideways. Left position is closed and right position is open. The air is used for the combustion and regulates the output of the stove.

The ashtray, shaking grate, and primary air should always be closed during continuous firing.

Handle

Your stove is equipped with a loose handle, which is practical if you have small children. Put the handle into the hole and turn it to open the door. If you want a firm handle, you can mount the long screw that you will find in the service bag.

Warranty conditions

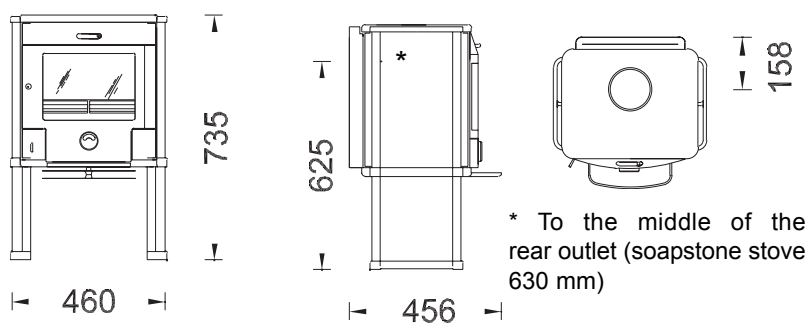
All SCAN wood-burning stoves and inserts are made of first-class material and are subject to a strict quality control before they leave the factory. However, if an error should occur, we back all SCAN wood-burning stoves and inserts with an extensive, five-year limited warranty.

See also the **General Instructions for Installation** delivered with your stove for more details.

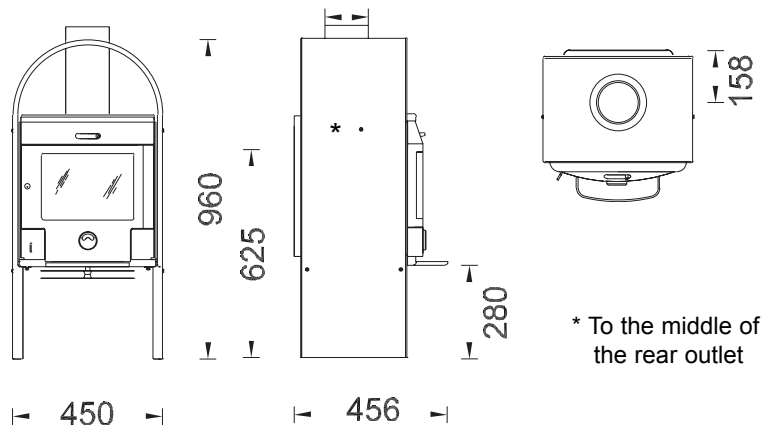
Technical info

Rated output:	6 W
Min./max.:	2 - 8 kW
Weight of radiation stove:	68 kg
Weight of convection stove:	94 kg
Weight of stove with curved steel mantle:	96 kg
Weight of stove with soap stones:	178 kg
Connection piece diameter:	int. 120/ext. 128 mm

Stove with convection sides



Stove with curved mantle

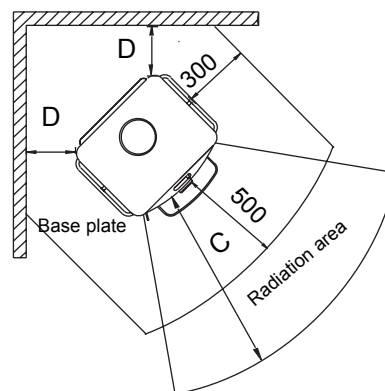


Distances to flammable materials (mm)

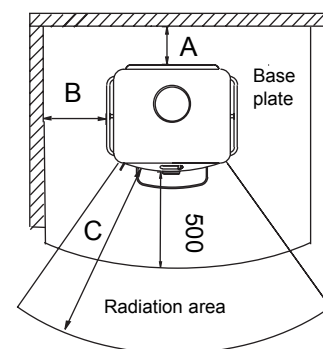
You should observe the following minimum distances from the sides of the stove:

	A	B	C	D
SCAN A4 Convection stove	200	200	800	200

Corner



Wall



Data for calculation of the chimney

Stove model	Connecting adaptor	With open doors			With closed doors			
		1 Density of flue gas flow g/s	2 Flue gas temperature °C	3 Minimum draft Pa	4 Density of flue gas flow g/s	5 Flue gas temperature °C	6 Minimum draft Pa	7 0,8 Minimum draft Pa
SCAN	mm							
A4	130	-	-	-	6	340	11	9

Column 5 shows the flue gas temperature in the connecting adaptor
 Column 6 shows the lowest/minimum draft in Pa by rated value
 Column 7 shows the lowest/minimum draft in Pa by 0.8 x rated value