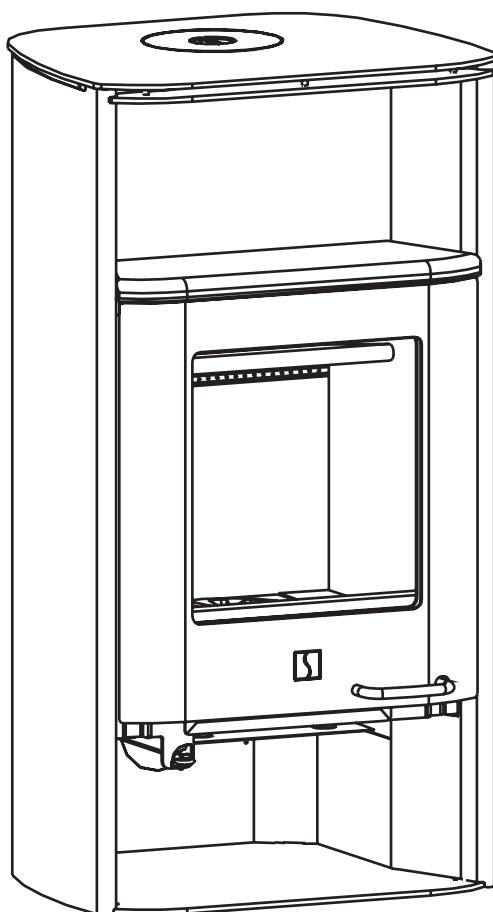
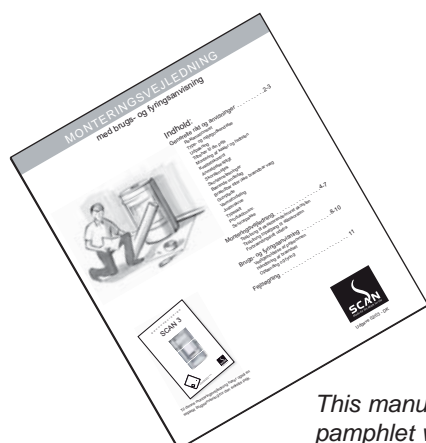


I N S T R U C T I O N S F O R
I N S T A L L A T I O N A N D U S E

SCAN Basic 4



Approved according to DIN 18891



This manual is accompanied by a pamphlet with General Instructions for Installation.

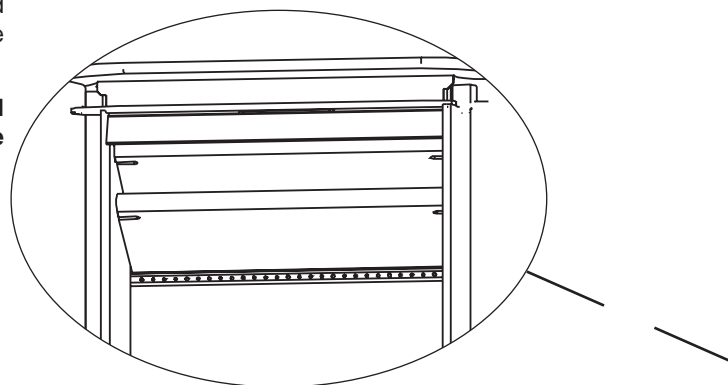


Edition 10.04 - GB

Congratulations on your new SCAN stove!

You have chosen a product from one of Europe's leading manufacturers of wood-burning stoves. We are convinced that your stove will be to your full satisfaction and give you many hours of pleasure if you follow the advice and instructions of this manual.

Please read this manual as well as the General Instructions for Installation before beginning the installation.

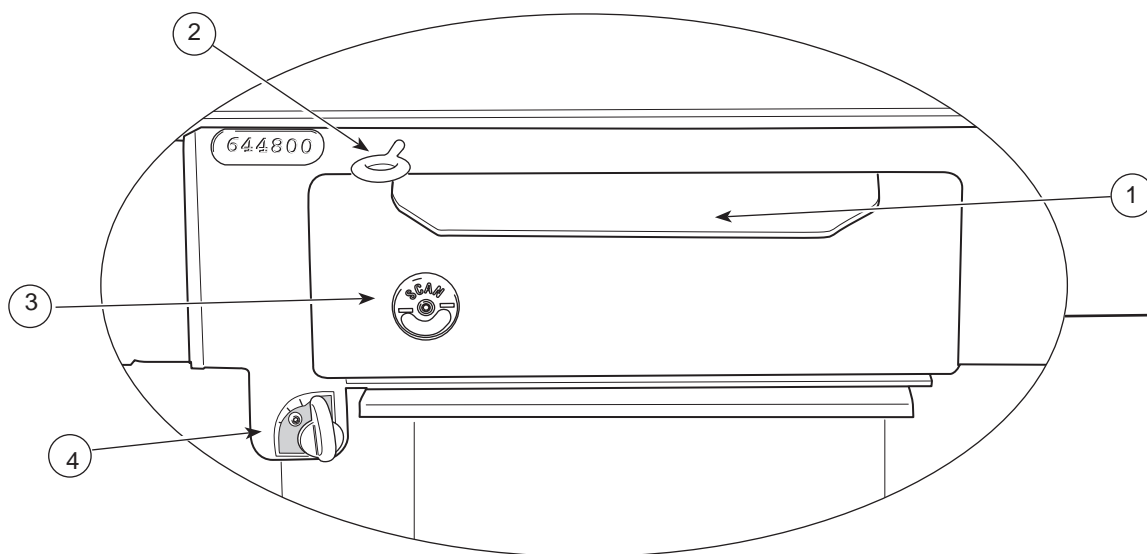


Ceramic smoke deflectors

Lift up the lower ceramic smoke deflector, pull out the pins in the lateral combustion chamber plates and remove the deflector. The upper deflector is removed in the same way.

Clean combustion

The SCAN Basic 4 uses the "CB technique" (Clean-Burn) to ensure an optimally clean combustion. The extra combustion air is pre-heated and led into the combustion chamber close to the ceramic smoke deflector.



- 1 **Ashtray.** When you open the door, you have access to the ashtray, which is placed below the combustion chamber. *Attention! Be careful when you empty ashes from the stove. There may be embers left for up to 24 hours after the stove was last used.*
- 2 **Handle for shaking grate.** The stove is equipped with a shaking grate. When you activate the grate handle, the ashes from the combustion chamber are emptied into the ashtray.
- 3 **Regulation for primary air.** Turn the air valve in order to open. The primary air is used when lighting and refuelling the stove. It should always be closed during continuous firing.
- 4 **Regulation for combustion air.** Push the button sideways. Left position is closed and right position is open. The air is used for the combustion and regulates the output of the stove.

The ashtray, shaking grate, and primary air should always be closed during continuous firing.

Adjustment of the air

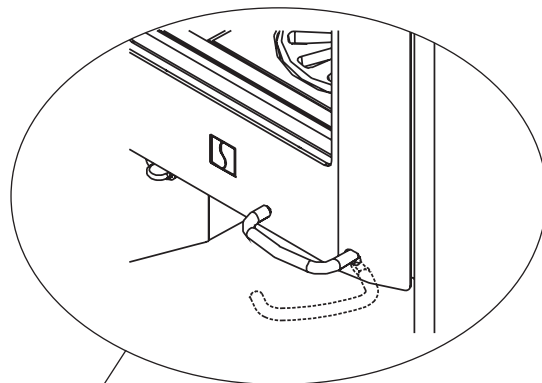
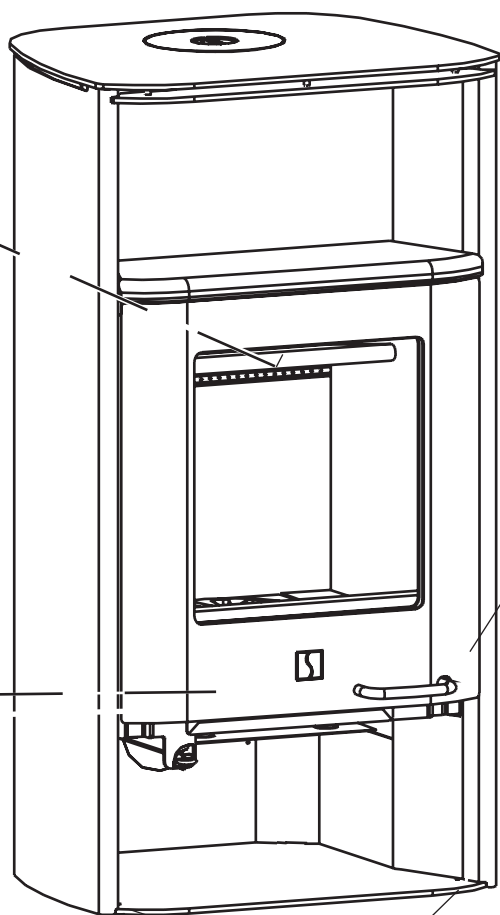
	Wood / briquettes	Fuel kg/h (beechwood max. 20% humidity)
SCAN Basic 4		1,8 kg
Combustion air %	100	
Primary air %	50	

Accessories

For this model you can have the following accessories:

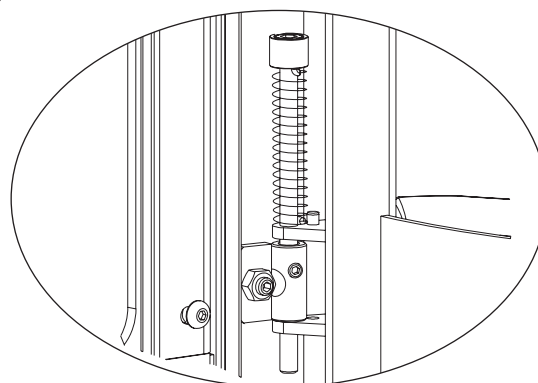
- Lateral covering in soapstone or ceramic tiles (white or blue)
- Top plate in soapstone
- Small grill
- Steel floor plate
- Connection piece for fresh-air intake

The stove can be prepared for an external air supply where fresh air is let directly into the combustion chamber (must be mounted from the factory).



Handle

Pull out the handle to open the door.



Self-closing door (BA 1)

The door is prepared with a self-closing function at the factory. If you tighten the spring with the hexagon spanner, the door will close automatically when you let go of it.

Adjustment screws

The stove has two adjustment screws on the bottom that can be used for levelling the stove.

Data for calculation of the chimney

Stove model	Connecting adaptor	With open doors			With closed doors			
		1 Density of flue gas flow g/s	2 Flue gas temperature °C	3 Minimum draft Pa	4 Density of flue gas flow g/s	5 Flue gas temperature °C	6 Minimum draft Pa	7 0,8 Minimum draft Pa
SCAN	mm							
B4	150	29	184	10	5	290	14	11

Columns 2 and 5 show the flue gas temperature in the connecting adaptor

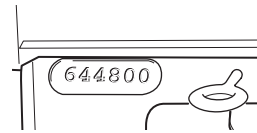
Columns 3 and 6 show the lowest/minimum draft in Pa by rated value

Column 7 shows the lowest/minimum draft in Pa by 0.8 x rated value

Warranty conditions

All SCAN wood-burning stoves and inserts are made of first-class material and are subject to a strict quality control before they leave the factory. However, if an error should occur, we back all SCAN wood-burning stoves and inserts with an extensive, five-year limited warranty.

See also the **General Instructions for Installation** delivered with your stove for more details.

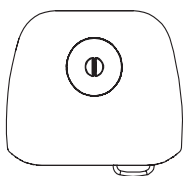
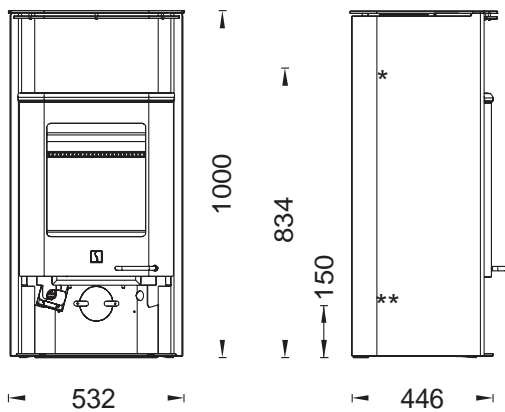


Production number

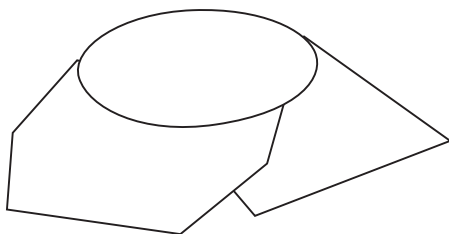
Technical info

Rated output:	6 kW
Min./max.:	3 - 8 kW
Weight:	130 - 210 kg
Connection piece, diameter:	int. 135 mm / ext. 148 mm

Write the production number of your stove here so that you have it at hand in case you need to contact us.

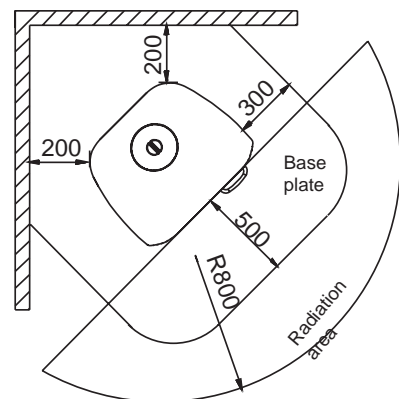
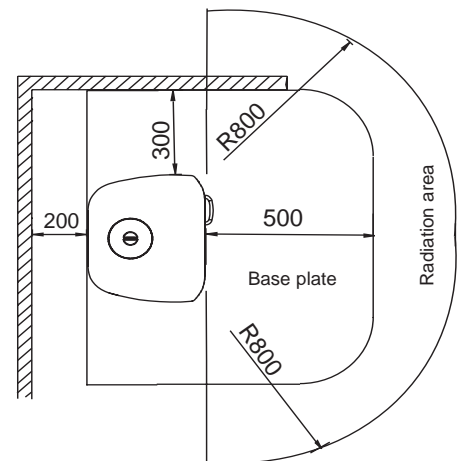


- * To the middle of the rear outlet
- ** Connection to fresh-air intake



You can choose between several floor plates in different shapes and dimensions for your stove. Please contact your local authorities concerning the security distances needed.

Distances to flammable materials (mm)



You should read this manual as well as the **General Instructions for Installation** before beginning the installation.