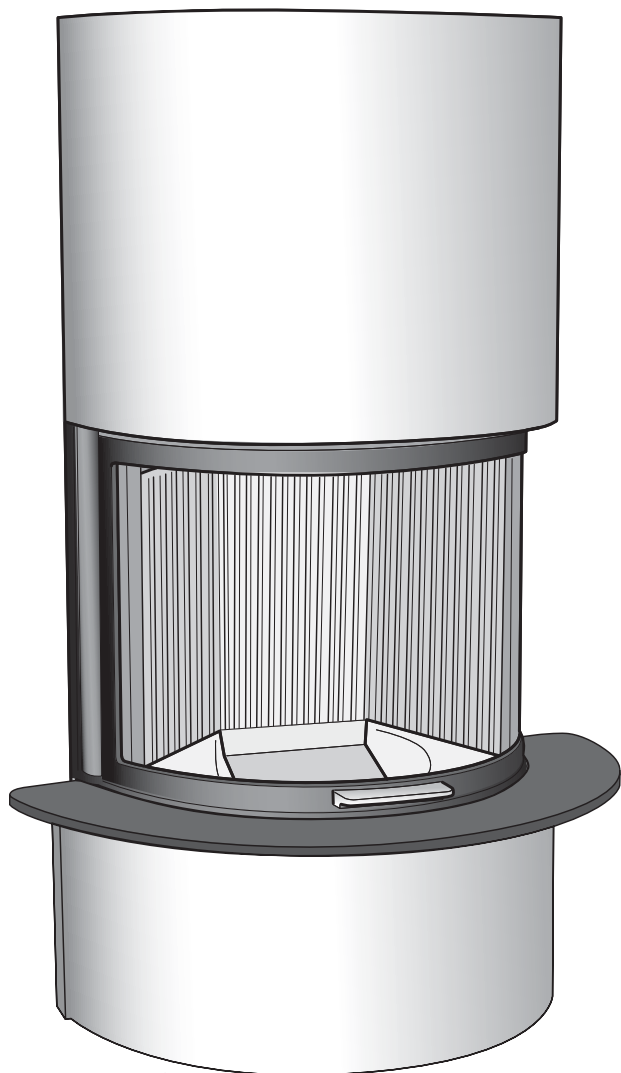


INSTRUCTIONS FOR INSTALLATION AND USE

SCAN DSA 1



Declaration of Conformity

Manufacturer:
Krog Iversen & Co. A/S
DK - 5492 Vissenbjerg

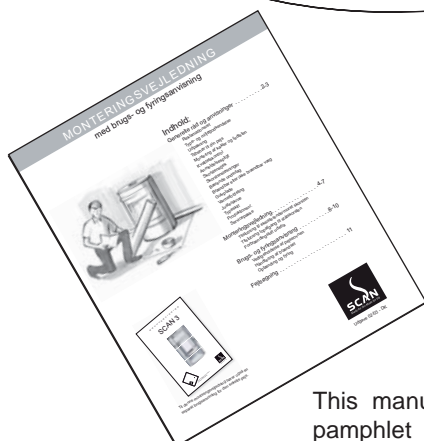
Product:
SCAN DSA 1

Description of product:
Room heater for closed operation

This product complies with the requirements
of the directive
CPD 89/106/EEC

Applied to harmonized standard EN 13240

Signature: 
Managing director Henning Krog Iversen



Approved according to EN 13240 2003

This manual is accompanied by a pamphlet with General Instructions for Installation.



Edition 10.06 - GB

Congratulations on your new SCAN stove/insert!

You have chosen a product from one of Europe's leading manufacturers of wood-burning stoves. We are convinced that your insert will be to your full satisfaction and give you many hours of pleasure if you follow the advice and instructions of this manual.

Please read this manual as well as the **General Instructions for Installation** before beginning the installation.

Service bag

1 hexagon spanner

1 distance piece (to be used when the door is opened for cleaning, servicing or dismantling)

1 oven mitt

Firelighters for the first lighting

Opening of the door 2

At the delivery of the stove, the door is locked. You can open it by pulling out and turning the locking button at the same time. The lock should not be activated in daily use, as the guiding axle may be scratched and unnecessarily worn.

When the door is completely open, you can lock it by activating the locking button in the right side.

Mounting

The mounting must be done in accordance with the local rules in the country where the stove is installed.

Before the installation

We refer to the General Instructions for Installation delivered with the stove concerning security distances (see also page 4 of this pamphlet), requirements of flooring, etc.

Connection to the chimney

The connecting piece (fig. 6.1) has an inner diameter of \varnothing 200 mm. We recommend the use of a connecting piece/adaptor fitting into the inside of the stove's flue collar to lead condensation and rain into the stove, instead of on the top plate. The chimney should continue with the same dimension as the connecting piece and have a length that ensures a proper functioning of the stove. Read more about the connection to the chimney in the General Instructions for Installation and follow always the advice of the chimney manufacturer.

Damper/regulation of the chimney draught

The chimney draught is regulated by means of the damper above the stove. If your stove is to be built-in, the operating rod for the damper should be led out through the masonry.

Adjustment screws

The stove has two adjustment screws in the bottom that can be used for levelling the stove.

Built-in insert

Support frame (accessory)

The support frame is delivered with the following:

2 fittings

4 screws 5.8 flanged head

3 shackles

6 locks for wire

3 wire strainers

3 x 3 m wire

The function of the support frame is to carry the casing above the door, if you want to build up around the insert.

Mount the two fittings on the sides of the insert (fig. 7). Put the support frame into the fitting (fig. 8) and support it with a piece of wood or the like in the desired height (according to the height of the bricks used) from the floor.

Mount the shackles, the wire strainers (fig. 9) and the wires on the support frame and fasten the wire to the ceiling, so that the support frame is horizontal (fig. 10). Please check that the wire is 100% tight and that the ceiling is able to carry the weight.

When the bricks reach the support frame, you can remove the piece of wood and continue to build up above the door.

The support frame is not to be in direct contact with the insert, as steel expands/shrinks when warmed up or cooled down. The masonry might crack if the support frame has been attached on the insert itself.

Mantle

The built-in stove has a steel-plate framing. You can build up around the stove or you can cover it with another **NON-COMBUSTIBLE** material. The covering can be mounted directly on the outside of the upper part of the insert. The mantle is never to be in direct contact with the stove! When covering the lower part of the stove, you must allow space for the air intake for the convection system. You can build up the covering against a wall or follow the shape of the stove so that it becomes "free-standing".

Airing of the mantle

The air intake must have an area of min. 805 cm² and the air outlet of min. 1250 cm².

The convection system of the stove

The air from the room is drawn into the convection system through the four air intakes on the sides of the lower part of the insert (fig. 5). The air is heated in the combustion chamber and rises up and out of the air outlet holes at the top (fig. 6.2).

Ventilator (accessory)

The stove can be delivered with a ventilator. The ventilator is mounted under the combustion chamber. Remove the firebricks and lift up the loose steel plate. The ventilator with wires is mounted on a plate that is pushed down in two slots against the back of the insert. The electrical installation must be carried out by an authorized electrician.

Mount the steel plate and the firebricks again.

Air for the room

You can add extra air for the room through an airshaft in the outer wall.

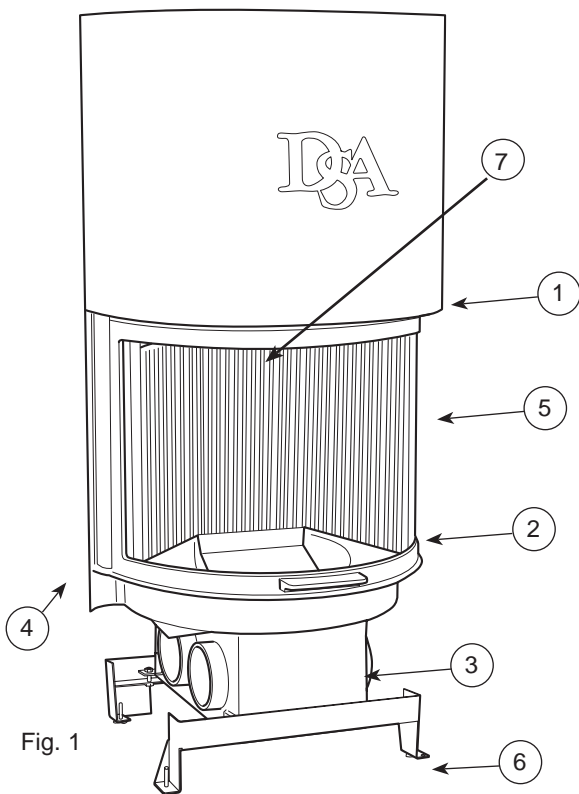


Fig. 1

Combustion air

Push the handle (fig. 1, 7) to the right in order to open and to the left in order to close. The air is used for the combustion and regulates the efficiency of the stove.

Cleaning of the glass

If you need to clean the glass, the door can be opened in the following way:

IMPORTANT! Close the door and lock it by turning the locking button (see "Opening of the door") (2) before you begin.

In order to protect the ceramic gasket at the bottom of the door, you should place the distance piece (fig. 3) under the door in the left side. Put a 6 mm hexagon spanner in the hole of the right side of the door (fig. 4) and turn clockwise. Swing out the door, clean the glass and close the door. Turn the screw counter-clockwise and remove the distance piece.

Accessories

For the built-in insert you can have the following accessories:

- Support frame
- Damper for the regulation of the chimney draught
- Ventilator

For the free-standing model you can have the following accessories:

- Front plate at the door (steel or soapstone)
- Cover for the elbow
- Ventilator
- Shaped floor plate (steel or glass)
- Connection piece for fresh-air intake

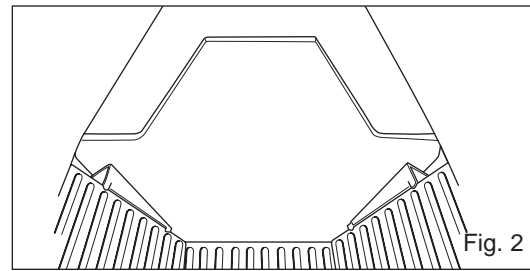


Fig. 2

Ceramic smoke deflector

After the chimney has been swept, you have to remove the soot that has fallen down onto the ceramic smoke deflector. Lift up the deflector in one side and tilt it down in the other side so that the soot falls into the combustion chamber. Attention! The smoke deflector is made of Skamol, which is a delicate material that easily breaks, so take care when handling it.

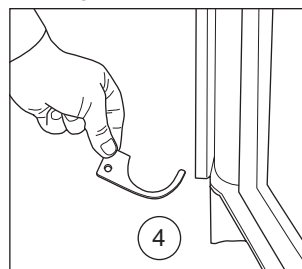


Fig. 3

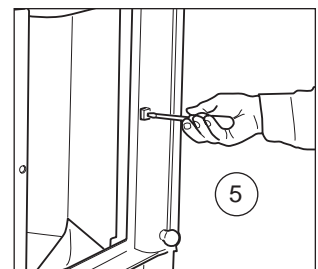


Fig. 4

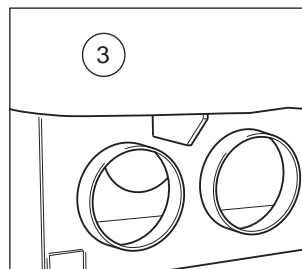


Fig. 5

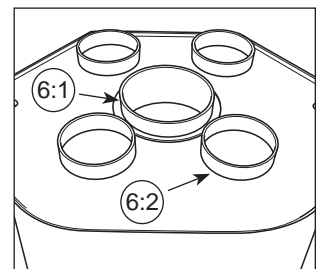


Fig. 6

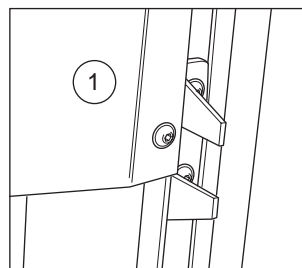


Fig. 7

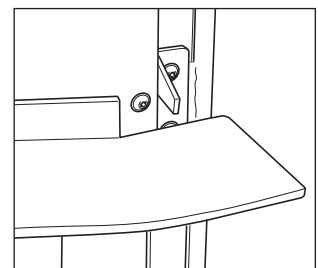


Fig. 8

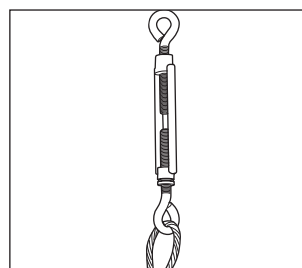


Fig. 9

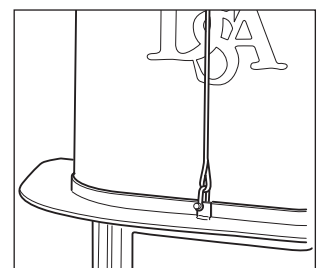
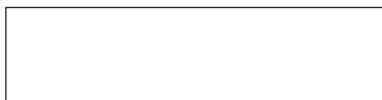


Fig. 10

Warranty conditions

All SCAN wood-burning stoves and inserts are made of first-class material and are subject to a strict quality control before they leave the factory. However, if an error should occur, we back all SCAN wood-burning stoves and inserts with an extensive, five-year limited warranty.

See also the **General Instructions for Installation** delivered with your insert for more details.



644800

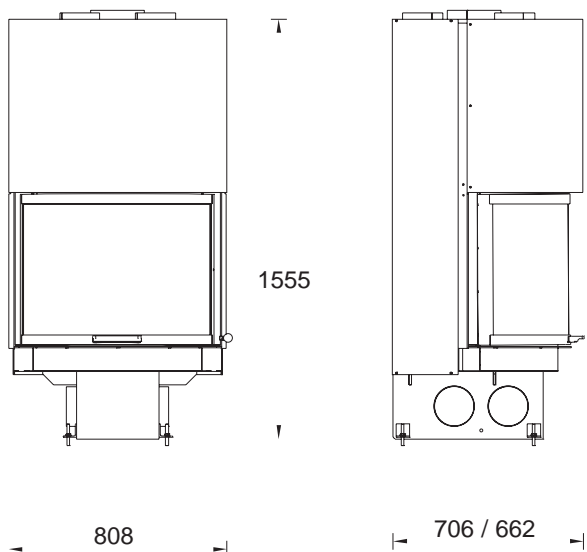
Production number

Write the production number of your insert here so that you have it at hand in case you need to contact us.

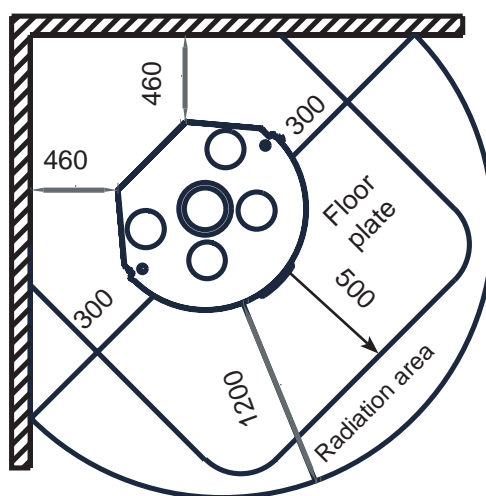
Technical info

Emission (% CO at 13% O ₂):	0.11%
Efficiency:	74%
Rated output:	10 kW
Chimney temperature:	220 °C
Flue outlet flow:	14 g/sec
Recommended low pressure in conn. piece:	15 Pa
Recommended fuel:	Wood
Amount of fuel and consumption:	3,22 kg/h
Min./max. (information from the factory):	8-11 kW
Weight, built in:	225 kg
Weight, freestanding:	226 kg
Connection piece, int. diameter:	200 mm
Connection piece, ext. diameter:	204 mm

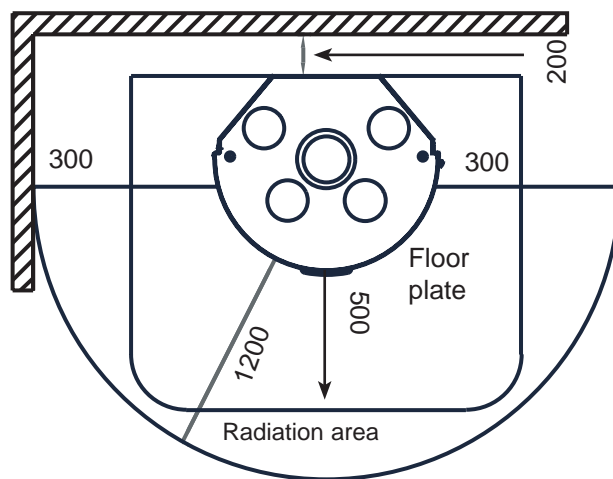
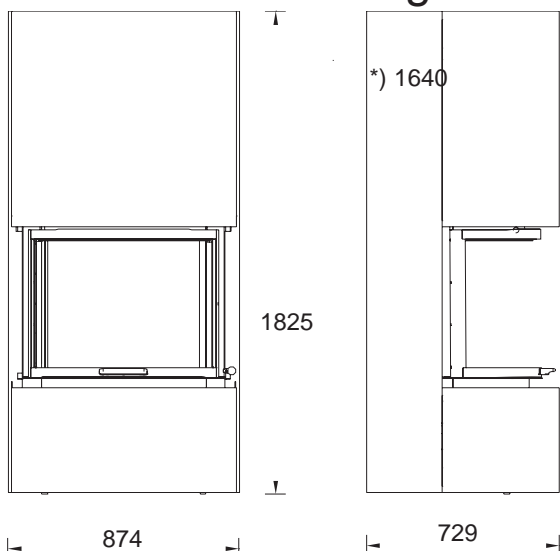
DSA 1 built-in



Distance to flammable materials (mm)



DSA 1 free standing



Min. distance to the ceiling: 250 mm

*) Height to the beginning of the flue pipe (top outlet)

Data for calculation of the chimney (DIN 18891)

Stove model	Connecting adaptor	With open doors			With closed doors			
		1 Density of flue gas flow g/s	2 Flue gas temperature °C	3 Minimum draft Pa	4 Density of flue gas flow g/s	5 Flue gas temperature °C	6 Minimum draft Pa	7 0.8 Minimum draft Pa
SCAN	mm							
DSA 1	200 *)	-	-	-	14	220	15	11

Columns 2 and 5 show the flue gas temperature in the connecting adaptor
 Columns 3 and 6 show the lowest/minimum draft in Pa by rated value
 Columns 7 shows the lowest/minimum draft in Pa by 0.8 x rated value

*) The data are based on the German test results according to DIN 18891 with a Ø 180 flue outlet.