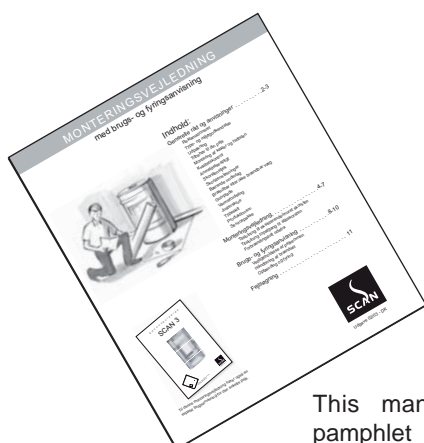


# INSTRUCTIONS FOR INSTALLATION AND USE

# SCAN 4



Approved according to  
EN 13240

This manual is accompanied by a pamphlet with General Instructions for Installation.

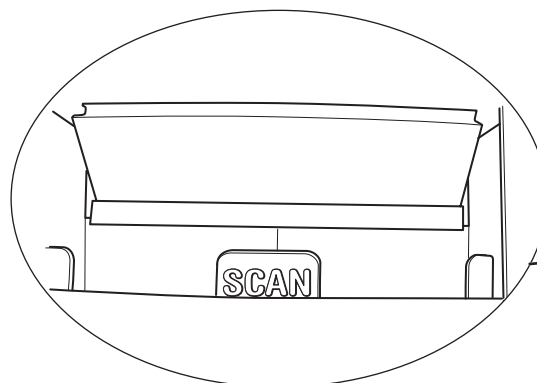


Edition 01.10.07 - GB

## Congratulations on your new SCAN stove!

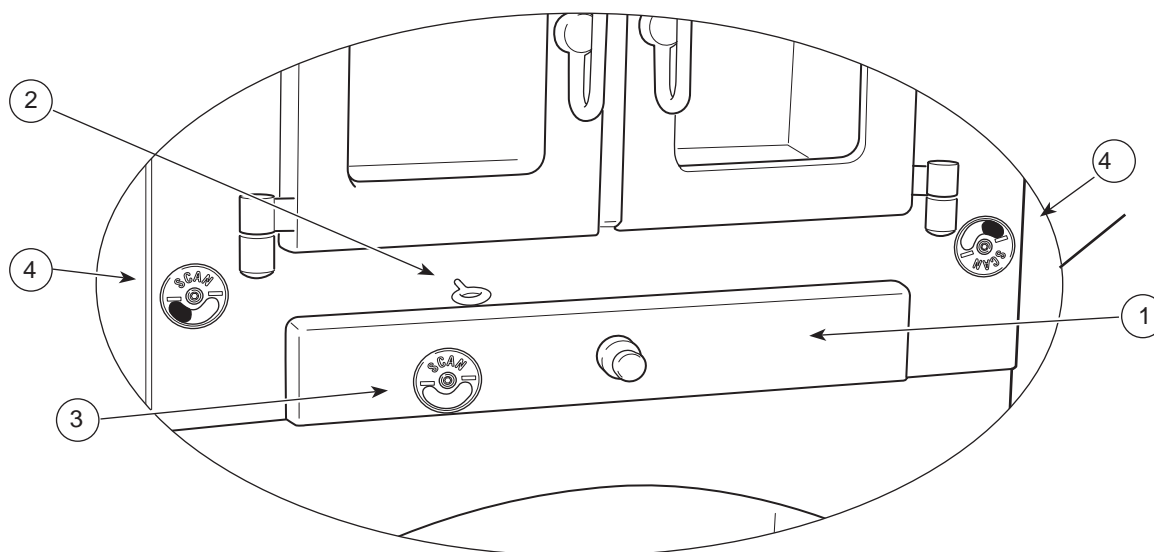
You have chosen a product from one of Europe's leading manufacturers of wood-burning stoves. We are convinced that your stove will be to your full satisfaction and give you many hours of pleasure if you follow the advice and instructions of this manual.

**Please read this manual as well as the General Instructions for Installation before beginning the installation.**



### Ceramic smoke deflector

In order to dismount the ceramic smoke deflector, lift up the plate at the front edge. Lower it at the back and take it out.



**1 Ashtray.** The ashtray is placed below the combustion chamber. *Attention! Be careful when you empty ashes from the stove. There may be embers left for up to 24 hours after the stove was last used.*

**2 Handle for shaking grate.** The stove is equipped with a shaking grate. When you activate the grate handle, the ashes from the combustion chamber are emptied into the ashtray.

**3 Regulation for primary air.** Turn the air valve in order to open. The primary air is used when lighting and refuelling the stove. It should always be closed during continuous firing.

**4 Regulation for combustion air.** Turn the air valve to the right for opening and to the left for closing. The air is used for the combustion and regulates the output of the stove.

The ashtray, shaking grate, and primary air should always be closed during continuous firing.

### Adjustment of the air

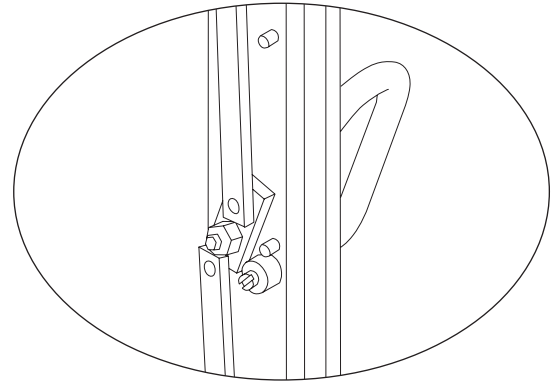
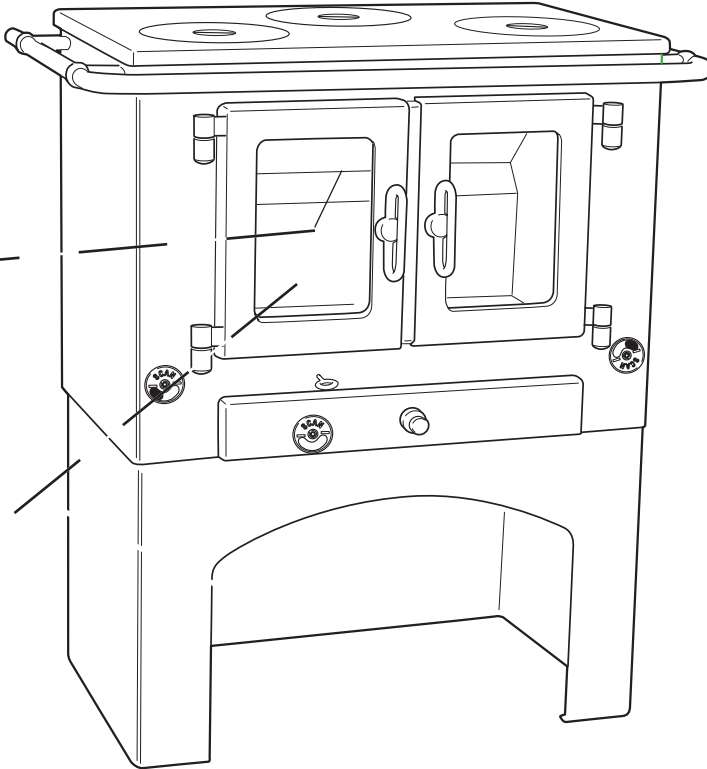
	Wood / briquettes	Fuel kg/h (beechwood max. 20% humidity)
<b>SCAN 4</b>		2 kg
Combustion air %	100	
Primary air %	0-50	

# SCAN 4

## Accessories

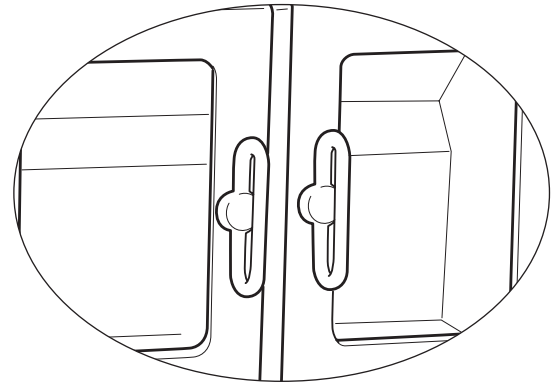
For this model you can have the following accessories:

- Large grill
- Steel floor plate



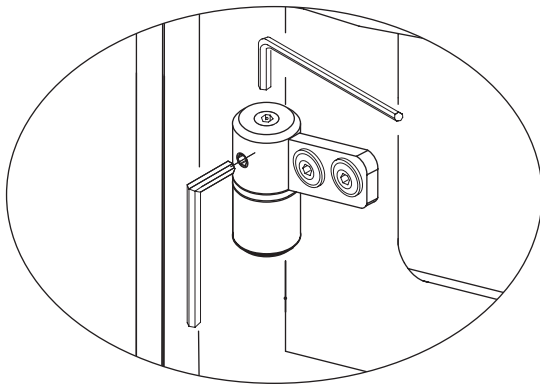
### Adjustment of the handle

If the handle is not in the vertical position, you can adjust as follows: loosen the screw (see illustration), put the handle in the vertical position and tighten the screw.



### Handle

The door is opened by turning the handle counter-clockwise.



### Self-closing door (BA 1)

The door is prepared with a self-closing function at the factory. If you tighten the spring with the hexagon spanner, the door will close automatically when you let go of it.

### Data for calculation of the chimney

Stove model	Connecting adaptor	With open doors			With closed doors			
		1 Density of flue gas flow g/s	2 Flue gas temperature °C	3 Minimum draft Pa	4 Density of flue gas flow g/s	5 Flue gas temperature °C	6 Minimum draft Pa	7 0,8 Minimum draft Pa
SCAN	mm							
4	150	-	-	-	6	320	14	11

Column 2 and 5 show the flue gas temperature in the connecting adaptor

Column 3 and 6 show the lowest/minimum draft in Pa by rated value

Column 7 shows the lowest/minimum draft in Pa by 0.8 x rated value

# SCAN 4

## Warranty conditions

All SCAN wood-burning stoves and inserts are made of first-class material and are subject to a strict quality control before they leave the factory. However, if an error should occur, we back all SCAN wood-burning stoves and inserts with an extensive, five-year limited warranty.

See also the **General Instructions for Installation** delivered with your stove for more details.

64.4800

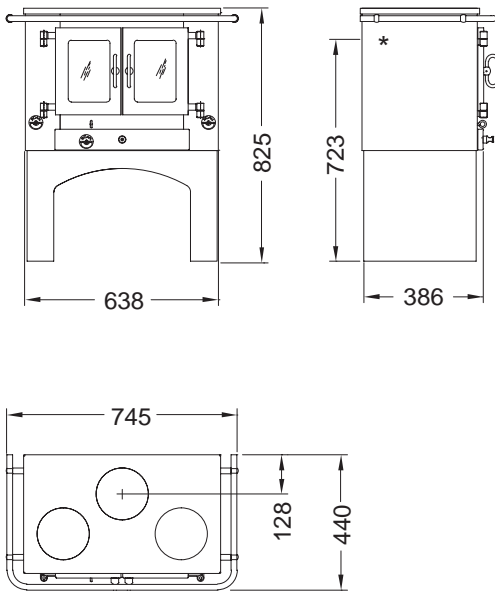
Production number

## Technical info

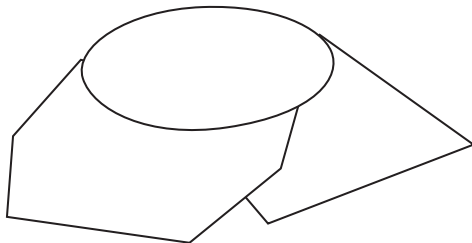
Rated output:	6 kW
Min./max.:	3 - 9 kW
Weight:	104 kg
Connection piece, diameter:	int. 135 mm / ext. 148 mm



Write the production number of your stove here so that you have it at hand in case you need to contact us.

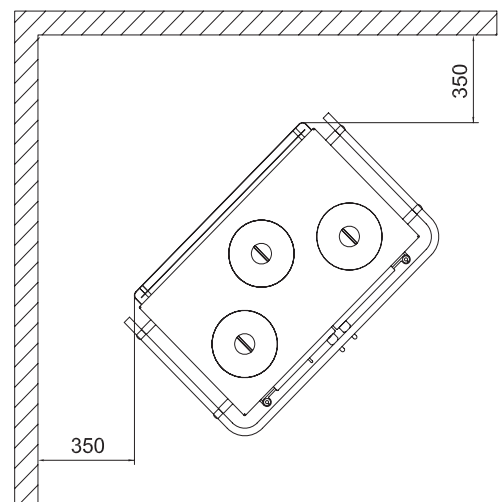
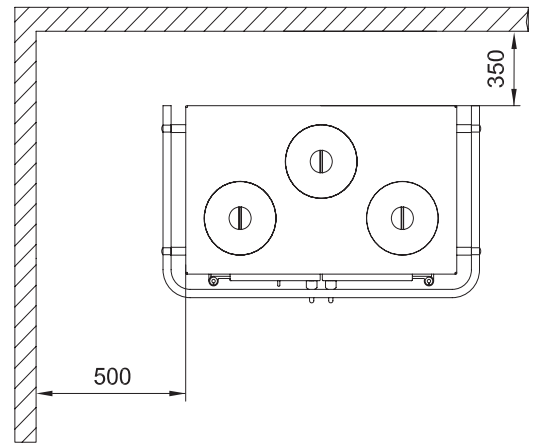


\*To the middle of the rear outlet



You can choose between several floor plates in different shapes and dimensions for your stove. Please contact your local authorities concerning the security distances needed.

## Distances to flammable materials (mm)



You should read this manual as well as the **General Instructions for Installation** before beginning the installation.