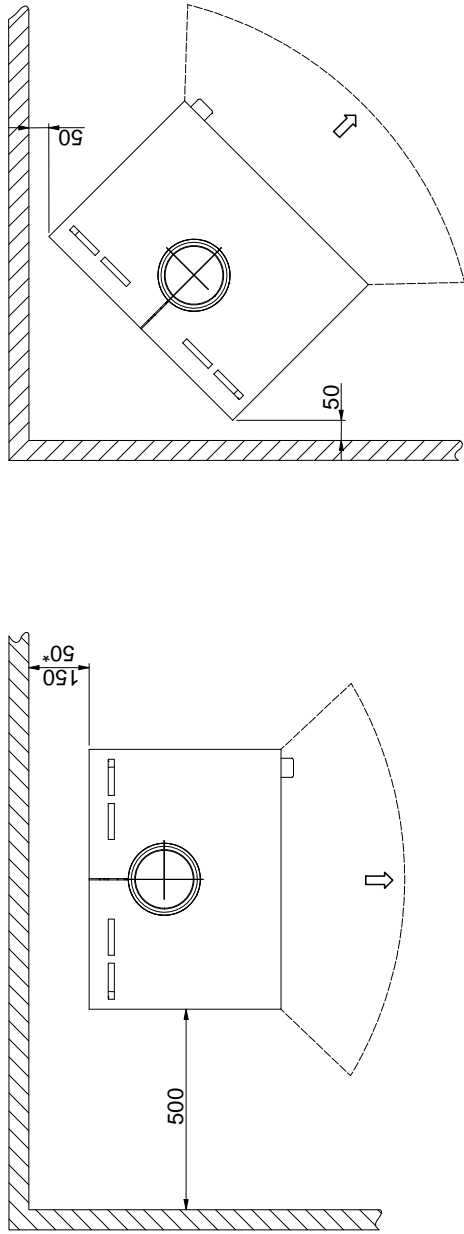
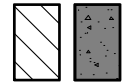
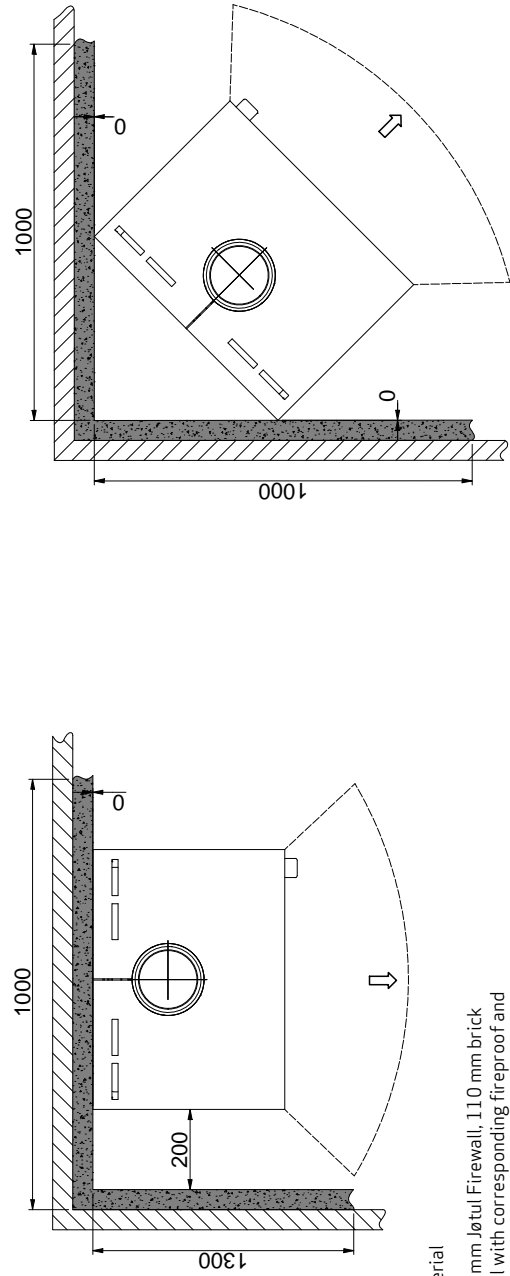


Minimum distance to flammable materials



Minimum distance to flammable wall protected by a fire wall



All distances are in mm.
 All distances are minimum distances
 * Half-insulated chimney (The requirements to the chimney and the flue pipe in terms of safety distances must be met)