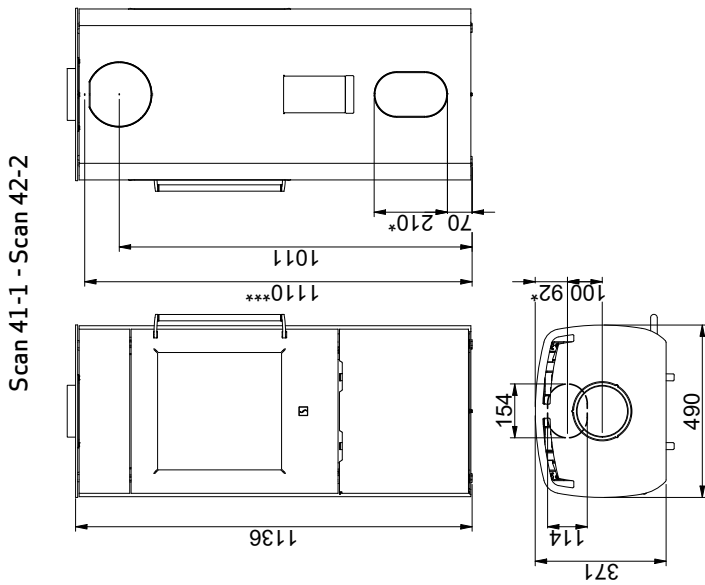
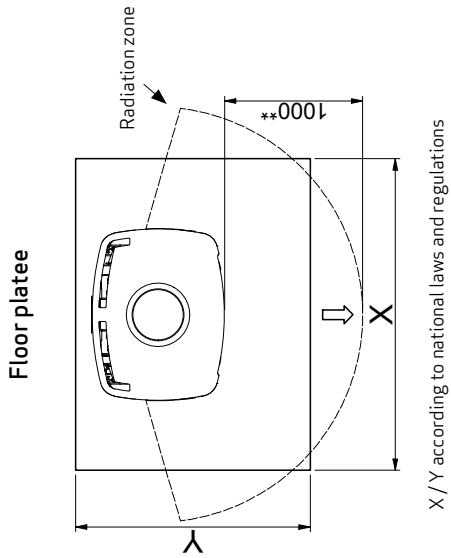
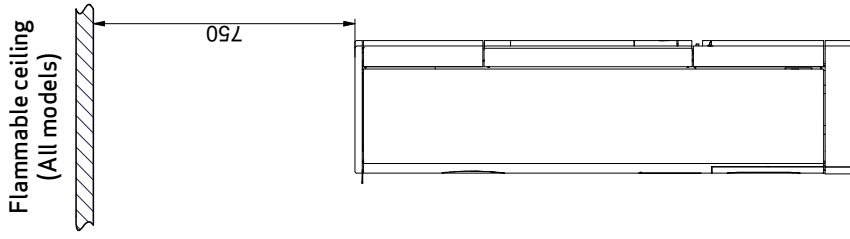


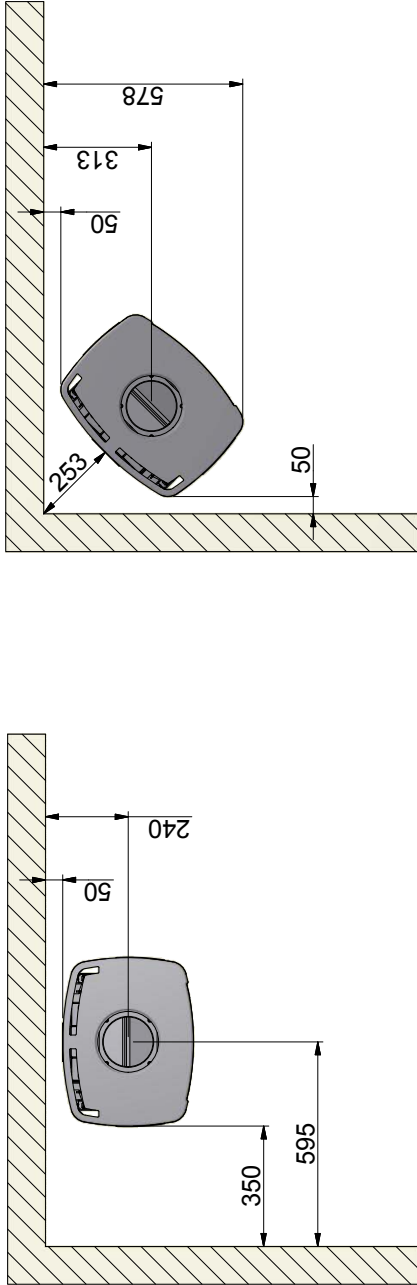
DIMENSION SKETCH AND MINIMUM DISTANCES



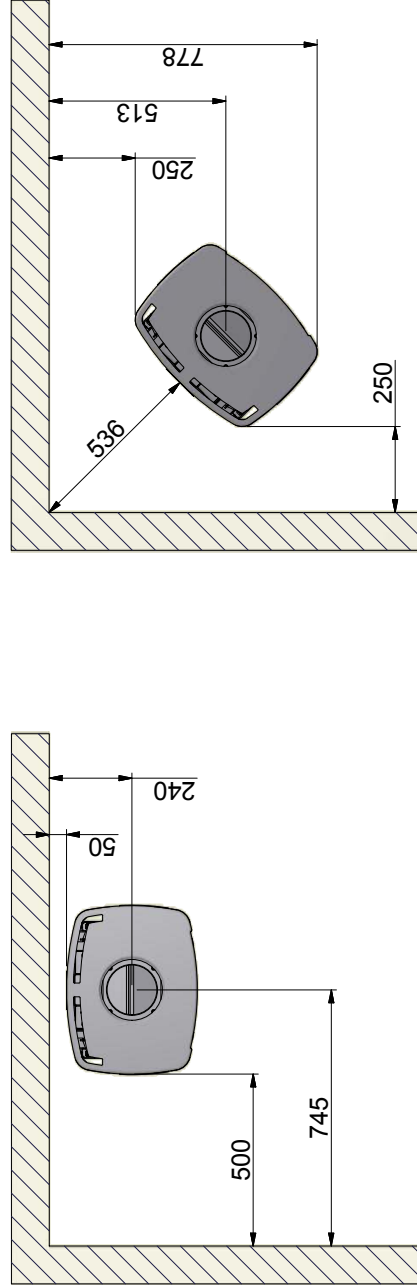
All distances are in mm.
 All distances are minimum distances
 * Connection of fresh-air intake Ø 100 mm
 ** Min. distance to furniture/flammable material
 *** Height to the beginning of flue connecting piece at top outlet

MINIMUM DISTANCES

Minimum distance to flammable materials (without side windows)



Minimum distance to flammable materials (with side windows)



Flammable material

All distances are in mm.

All distances are minimum distances

* Half-insulated chimney / shielded flue pipe

(The requirements to the chimney and the flue pipe in terms of safety distances must be met)

