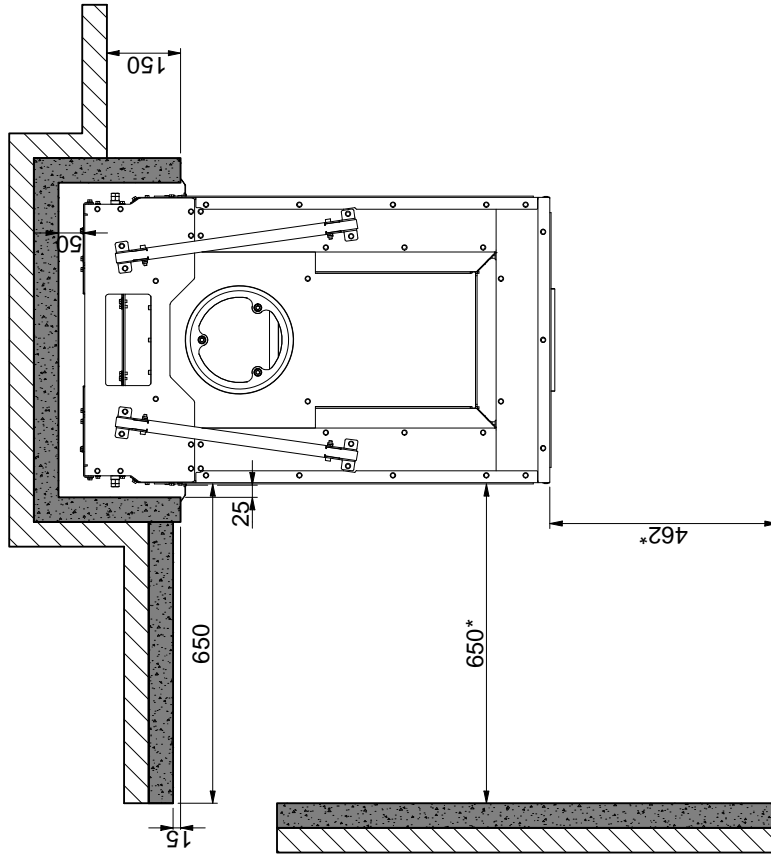
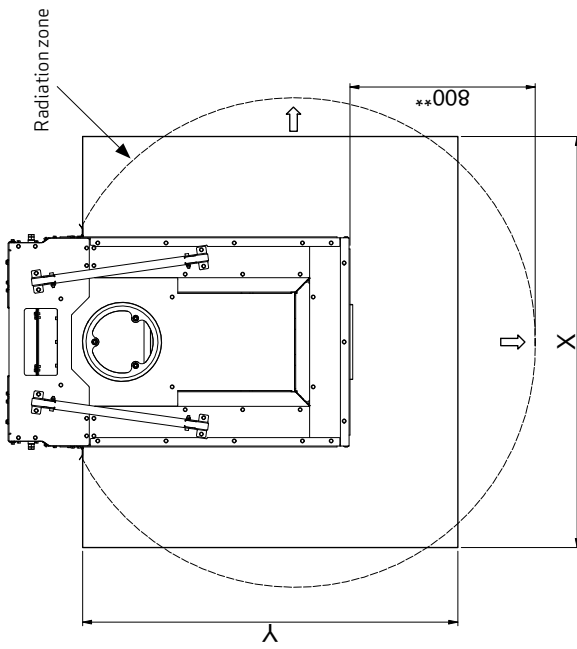


Building in the Scan 5005 against a flammable wall protected by a fire wall



Floor plate



X / Y according to national laws and regulations



Flammable material



Fire wall, e.g. 50 mm Jøtul Firewall, 110 mm brick or other material with corresponding fireproof and insulating abilities

All distances are in mm.

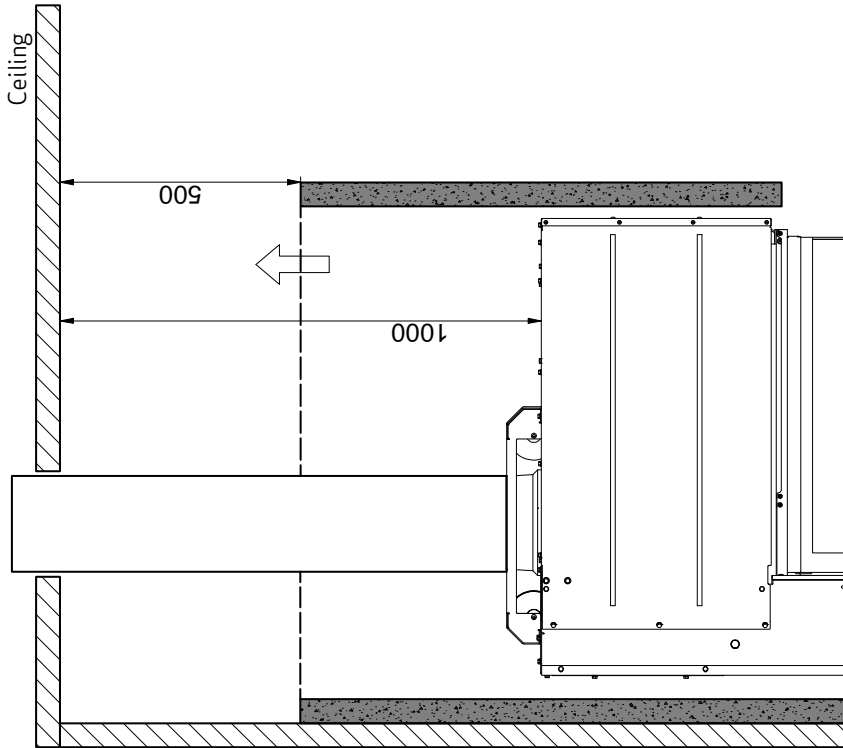
All distances are minimum distances

* Distance to glass

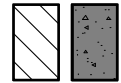
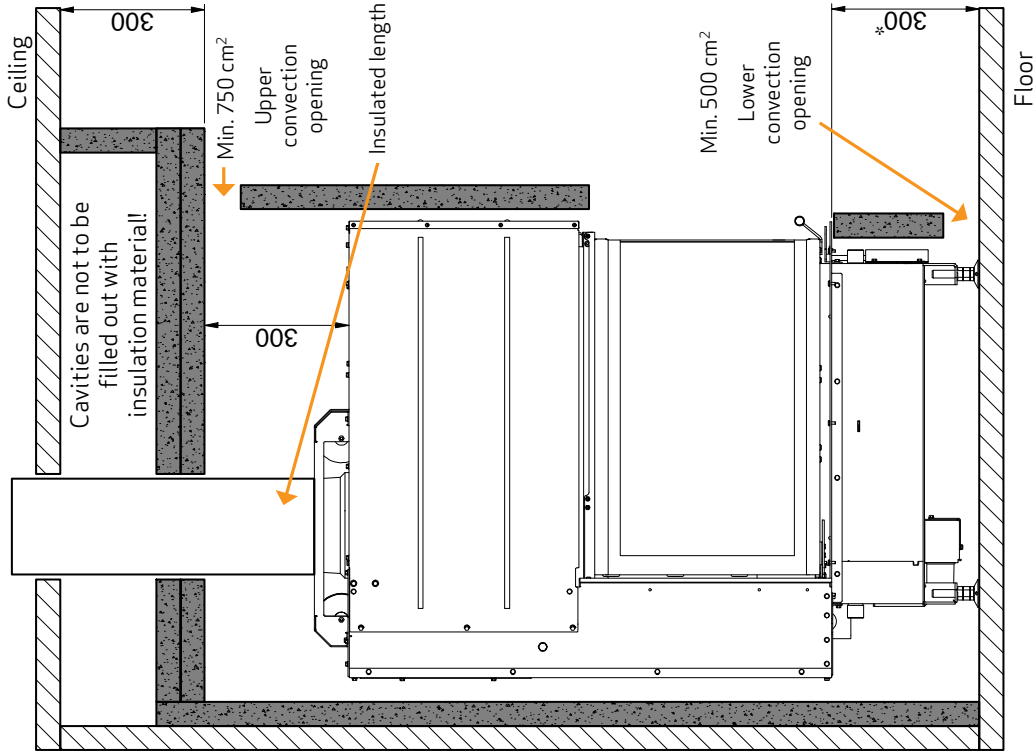
** Min. distance to furniture/flammable material

Building in the Scan 5005 against a flammable wall protected by a fire wall

Installation with an insulated, vertical flue pipe
- open structure/surround



Installation with an insulated, vertical flue pipe
- structure/surround to ceiling



All distances are in mm.
All distances are minimum distances
* Distance to flammable floor