

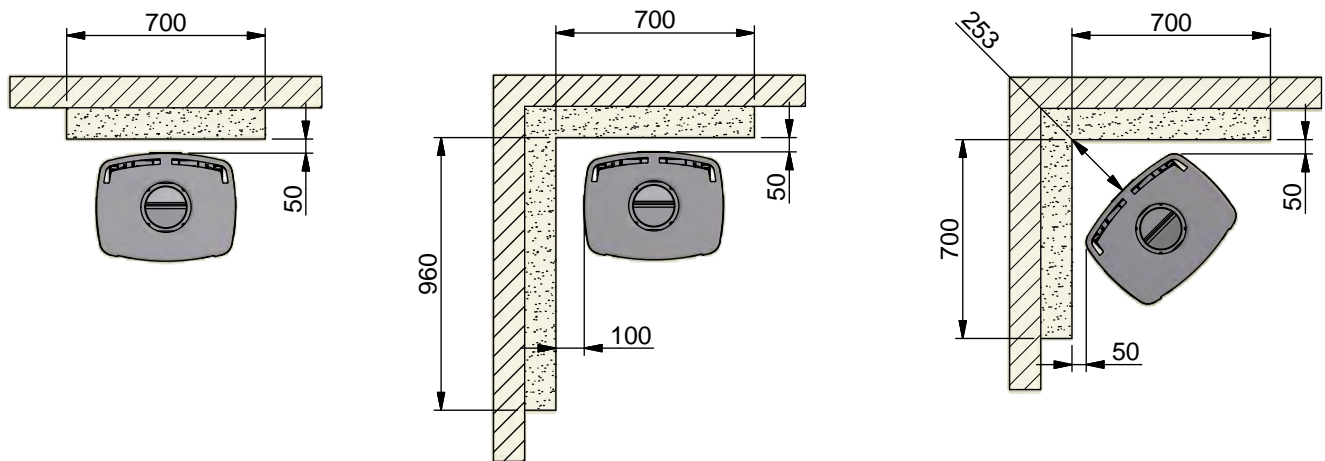
## SAFETY DISTANCE

European, national and local regulations concerning safety distances for wood-burning stoves must be complied with.

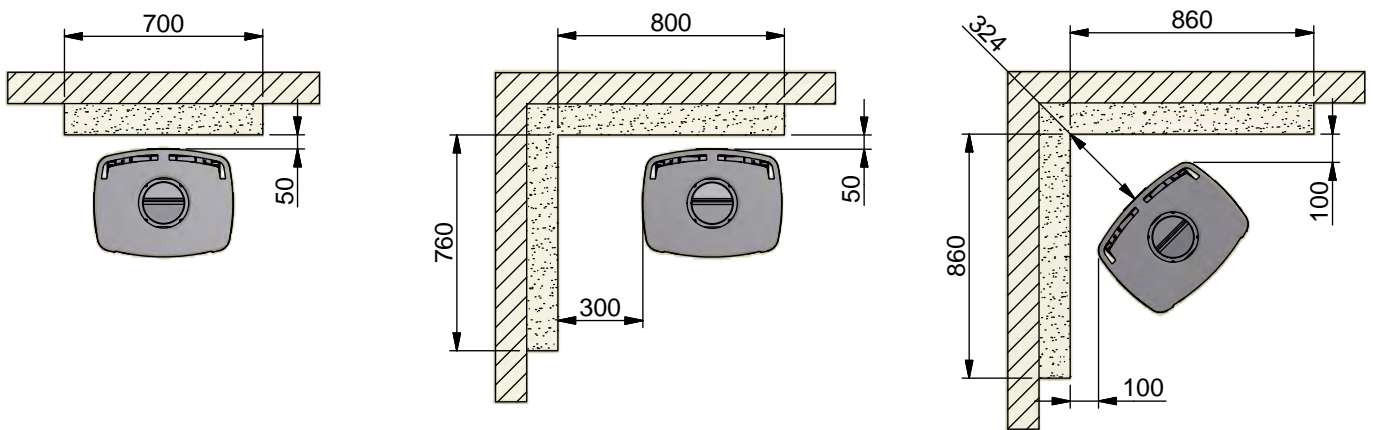
### DISTANCE TO FLAMMABLE WALL PROTECTED BY A FIRE WALL

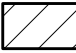
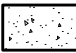
These distances apply for an insulated flue pipe all the way down to the stove.

#### 65-1, 65-3, 65-7 and 65-9 (without side windows)



#### 65-2, 65-4, 65-8 and 65-10 (with side windows)



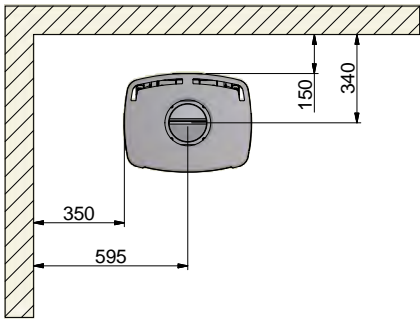
-  Flammable material
-  Fire wall, e.g. 50 mm Jøtul Firewall, 110 mm brick or other material with corresponding fireproof and insulating abilities

All distances are in mm.

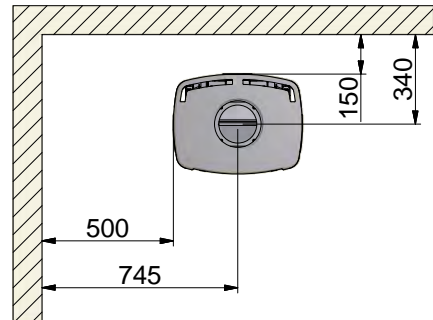
All distances are minimum distances

**DISTANCE TO FLAMMABLE MATERIALS, WITH UNINSULATED FLUE PIPE**

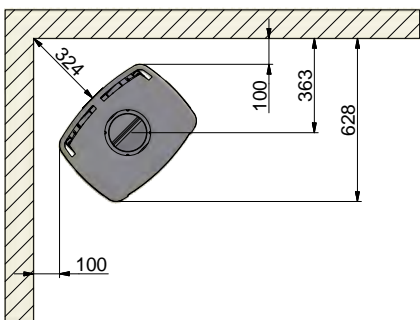
**65-1, 65-3, 65-7 and 65-9 (without side windows)  
Parallel installation**



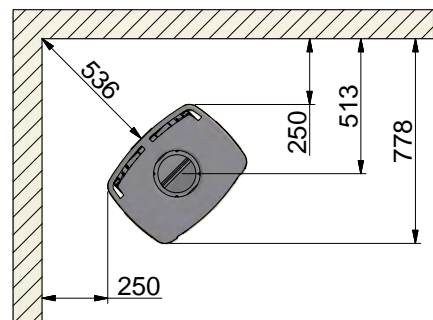
**65-2, 65-4, 65-8 and 65-10 (with side windows)  
Parallel installation**



**65-1, 65-3, 65-7 and 65-9 (without side windows)  
45° corner installation**



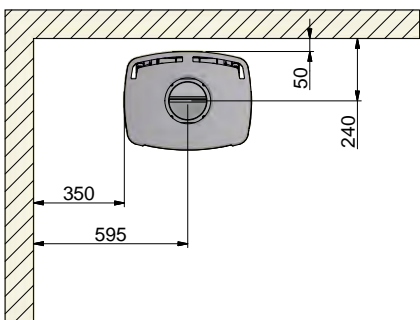
**65-2, 65-4, 65-8 and 65-10 (with side windows)  
45° corner installation**



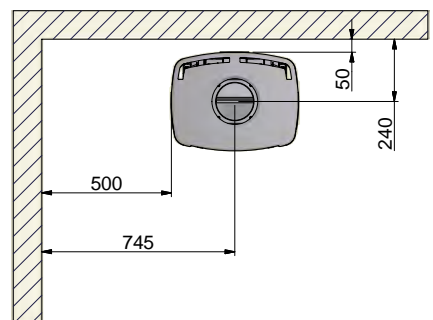
**DISTANCE TO FLAMMABLE MATERIALS, WITH INSULATED FLUE PIPE**

These distances apply for an insulated flue pipe all the way down to the stove.

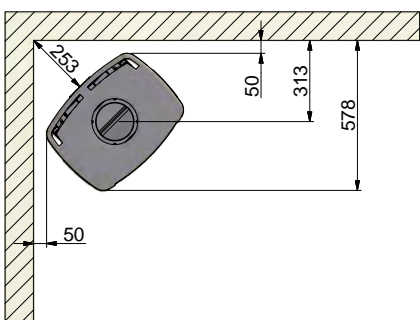
**65-1, 65-3, 65-7 and 65-9 (without side windows)  
Parallel installation**



**65-2, 65-4, 65-8 and 65-10 (with side windows)  
Parallel installation**



**65-1, 65-3, 65-7 and 65-9 (without side windows)  
45° corner installation**



**65-2, 65-4, 65-8 and 65-10 (with side windows)  
45° corner installation**

