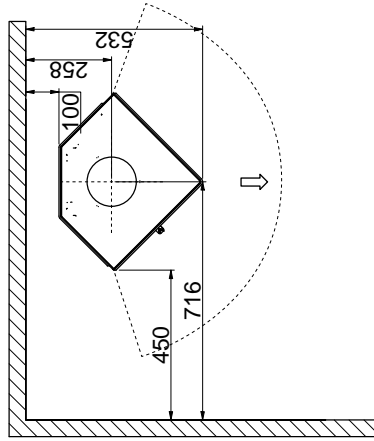
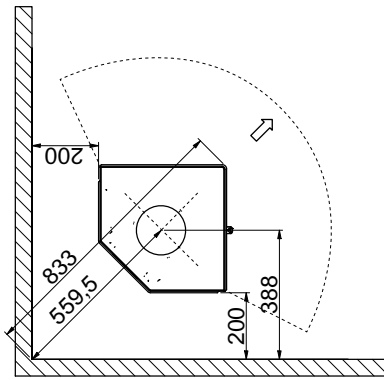
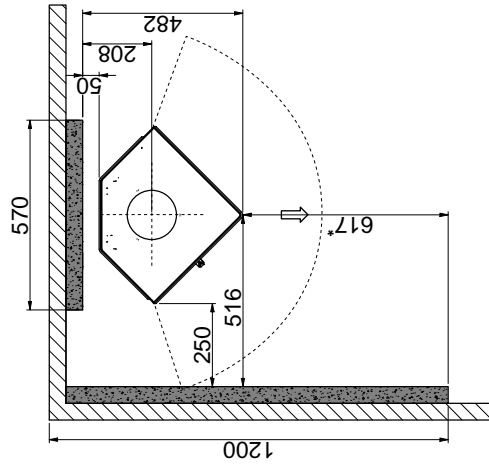
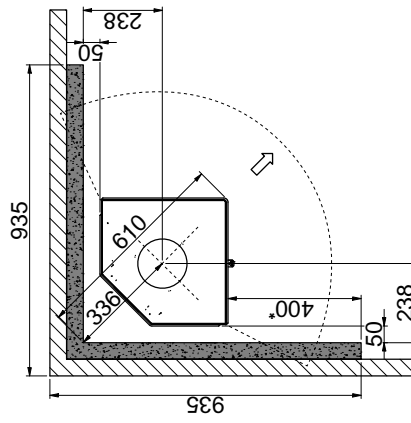


Minimum distance to flammable materials



Minimum distance to flammable wall protected by a fire wall



Flammable material



Fire wall, e.g. 50 mm Jøtul Firewall, 110 mm brick or other material with corresponding fireproof and insulating abilities

All distances are in mm.

All distances are minimum distances

These distances apply for an insulated flue pipe, all the way down to the stove

* Distance to glass