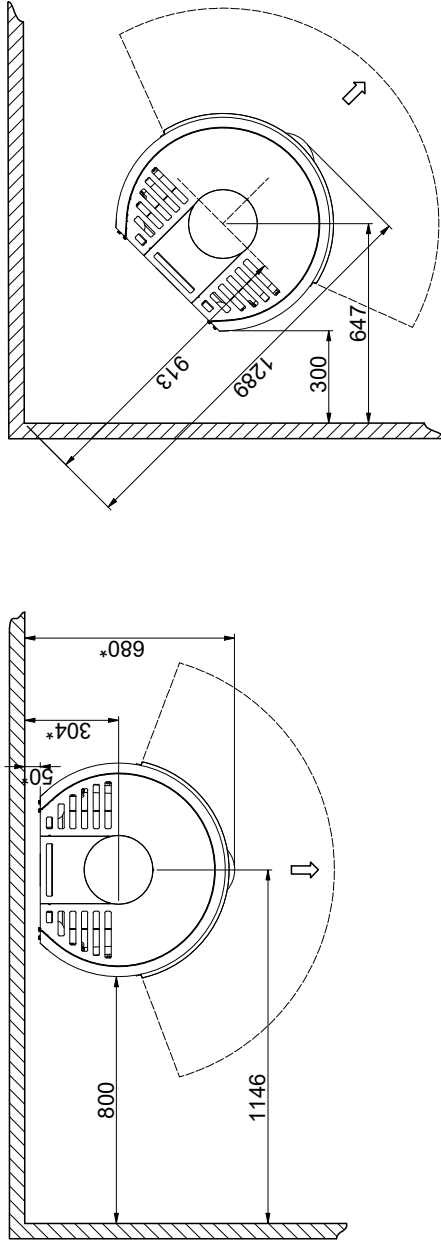
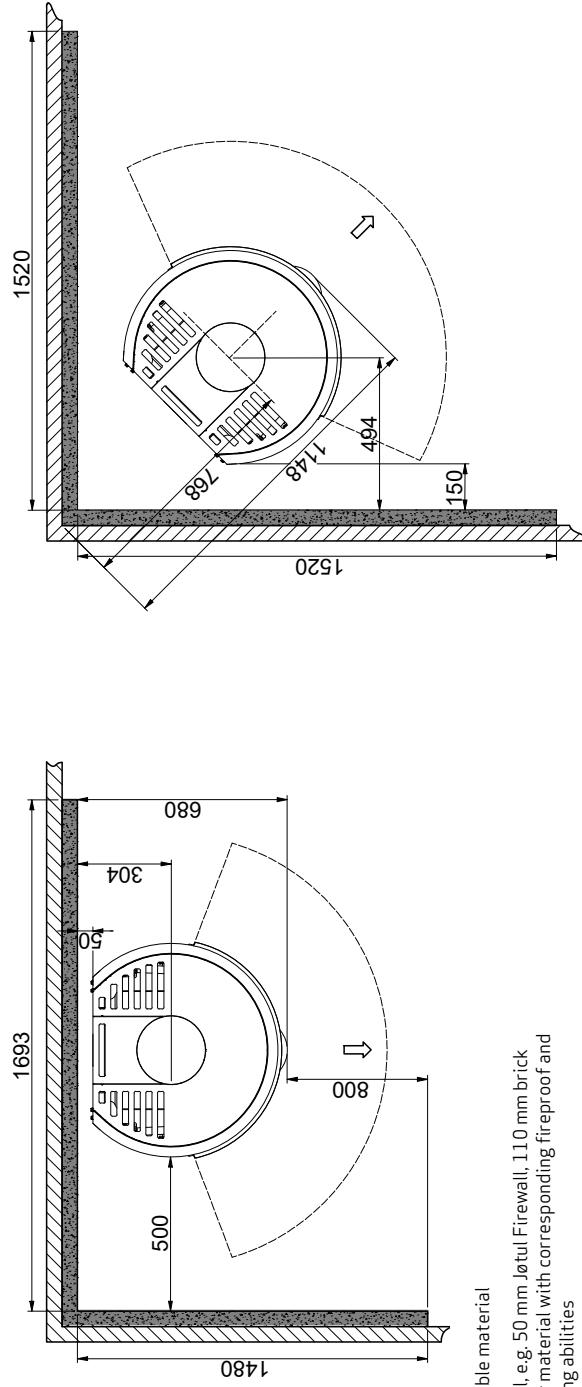
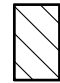



Minimum distance to flammable materials



Minimum distance to flammable wall protected by a fire wall



-  Flammable material
-  Fire wall, e.g. 50 mm Jøtul Firewall, 110 mm brick or other material with corresponding fireproof and insulating abilities

All distances are in mm.
 All distances are minimum distances
 * Half-insulated chimney / shielded flue pipe (The requirements to the chimney and the flue pipe in terms of safety distances must be met)