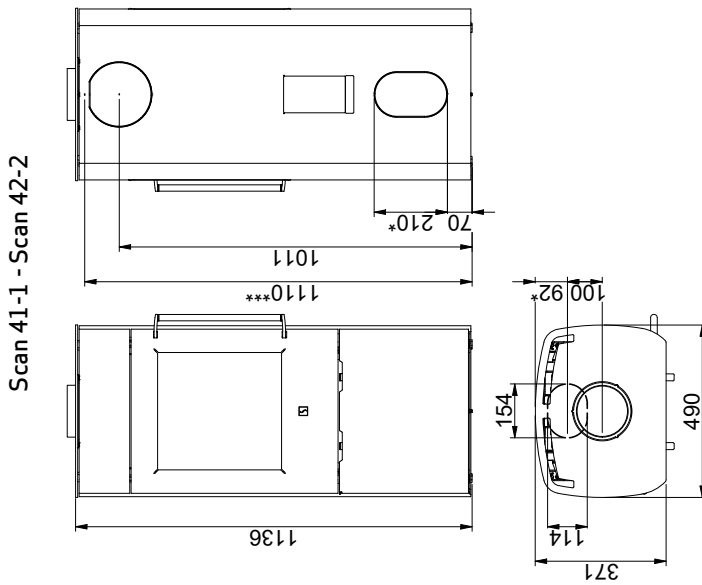
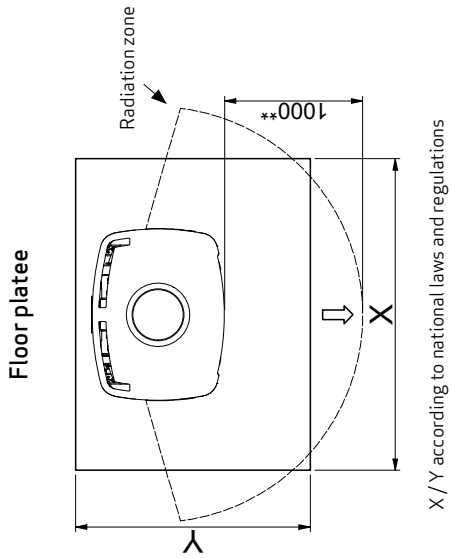
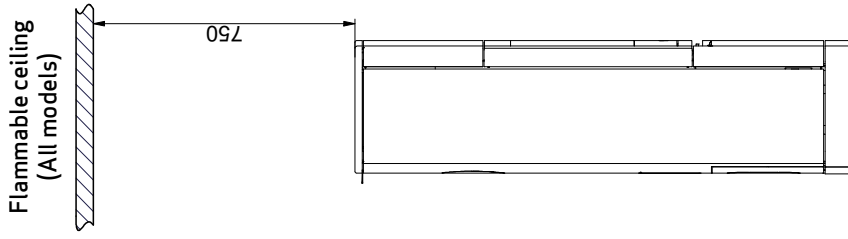


DIMENSION SKETCH AND MINIMUM DISTANCES



Flammable material

All distances are in mm.

All distances are minimum distances

\* Connection of fresh-air intake Ø 100 mm

\*\* Min. distance to furniture/flammable material

\*\*\* Height to the beginning of flue connecting piece at top outlet