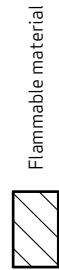
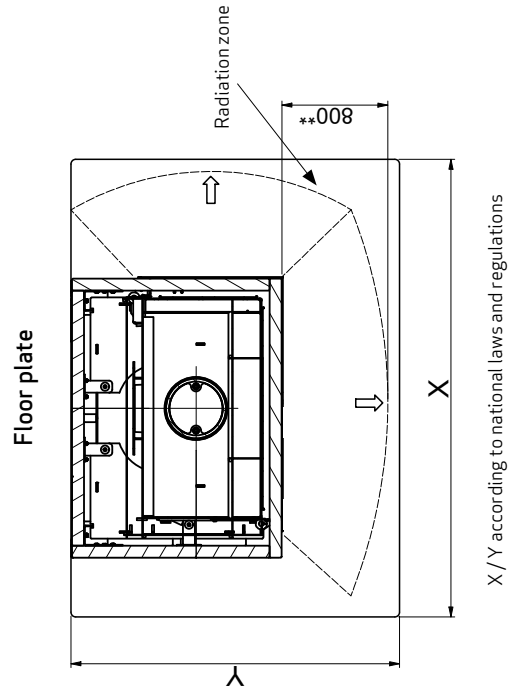
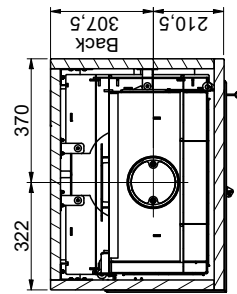
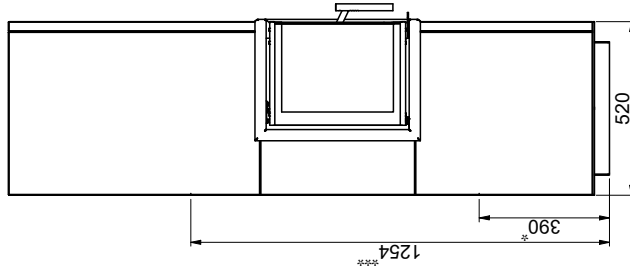
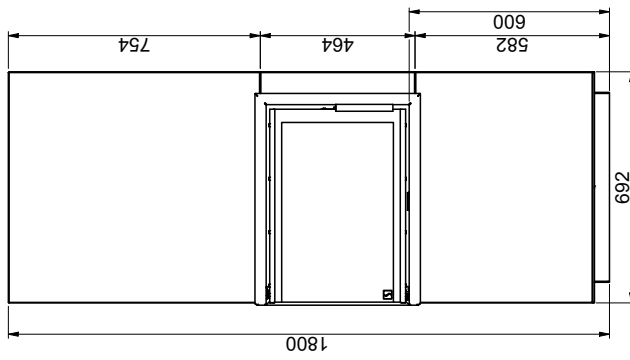


DIMENSION SKETCH AND MINIMUM DISTANCES

Scan 5003-S



All distances are in mm.
 All distances are minimum distances
 * Connection of fresh-air intake - inside measure: Ø 103 mm - inside measure: 120 mm
 ** Min. distance to furniture/flammable material
 *** Height to the beginning of flue connecting piece at top/rear outlet.
 flue conn. piece - inside measure: Ø132 mm - outside measure: Ø149 mm