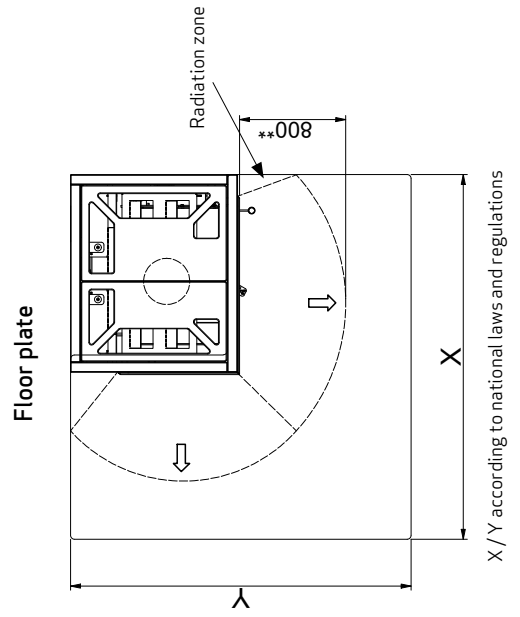
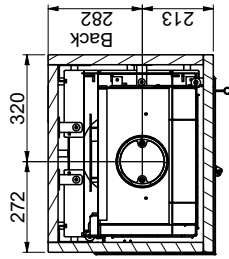
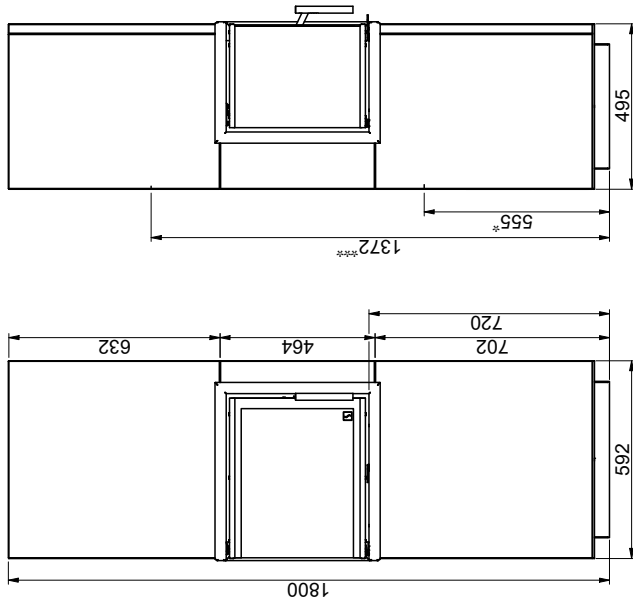


DIMENSION SKETCH AND MINIMUM DISTANCES

Scan 5006-S



Flammable material

All distances are in mm.

All distances are minimum distances

\* Connection of fresh-air intake - inside measure: Ø 108 mm - outside measure: 125 mm

\*\* Min. distance to furniture/flammable material

\*\*\* Height to the beginning of flue connecting piece at top/rear outlet, flue conn. piece - inside measure: Ø 132 mm - outside measure: Ø 149 mm

X / Y according to national laws and regulations