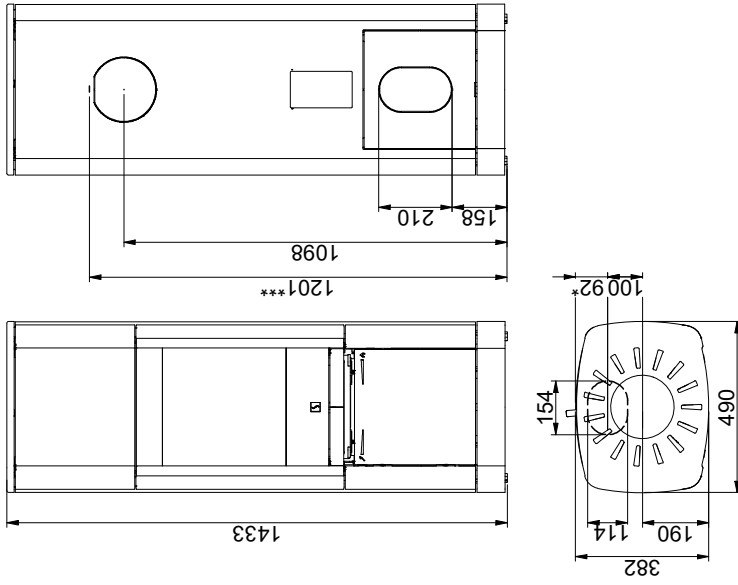
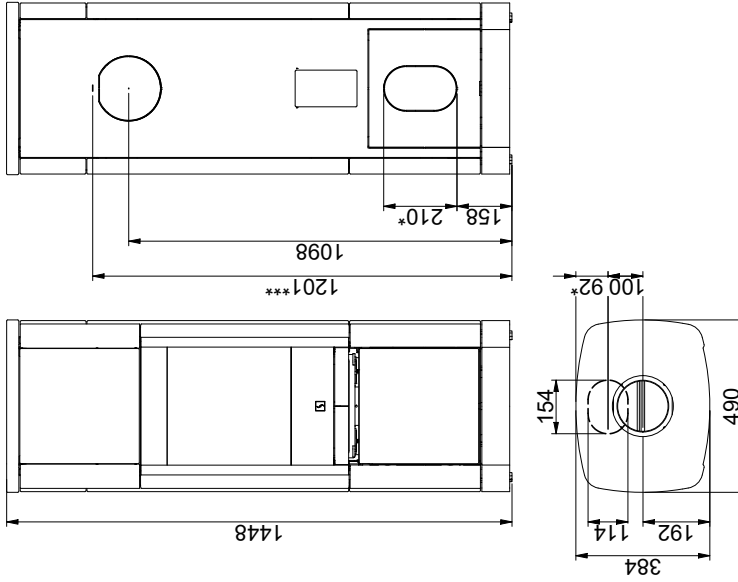


DIMENSION SKETCH AND MINIMUM DISTANCES

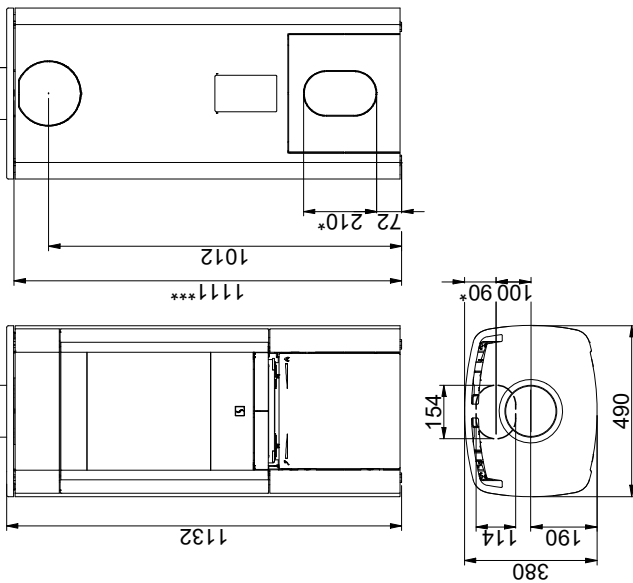
Scan 65-9 - Scan 65-10



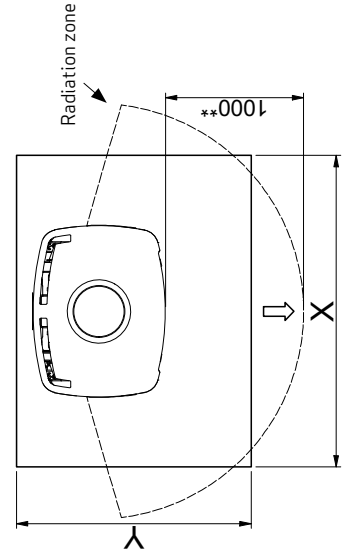
Scan 65-7 - Scan 65-8



Scan 65-1 - Scan 65-2 - Scan 65-3 - Scan 65-4



Floor plate



X / Y according to national laws and regulations



Flammable material

- All distances are in mm.
- All distances are minimum distances
- * Connection of fresh-air intake Ø 100 mm
- ** Min. distance to furniture/flamable material
- *** Height to the beginning of flue connecting piece at top outlet